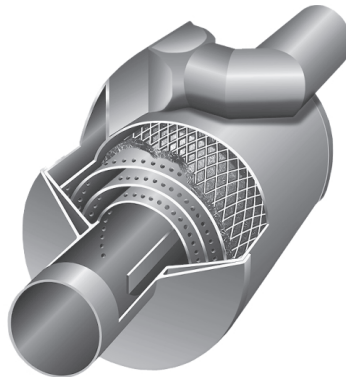




ow® Engine Exhaust Silencers



Product Catalog

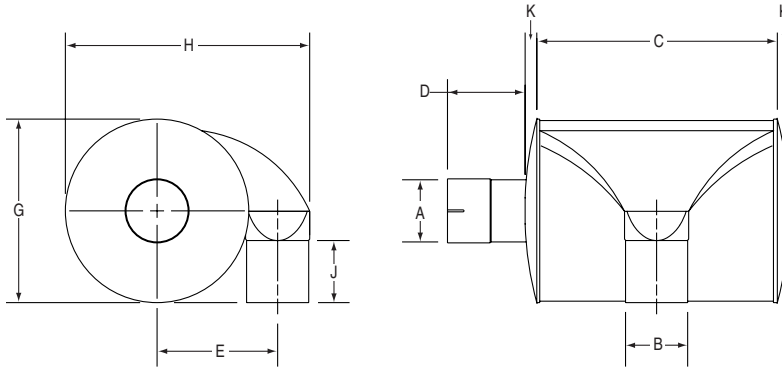
Table of Contents:

Introduction	1-2
Silencer Information	3-18
Silencer Specifications	19-50
Silencer Accessories	51-54
Glossary	56-57
Warranty	58



TXS Critical Grade - PR Model

Typical Insertion Loss 28-33 dbA*



Features

- Compact Spiral Chamber Design
- Premium Silencing
- Low Back Pressure
- Low Weight
- Aluminized Steel Construction
Maximum Temp: 1200 °F (650 °C)
- Standard High-Temperature Finish
- All MIG Welded Construction
- Steel Wool and Mesh Liner
- Slip-fit Connections Standard

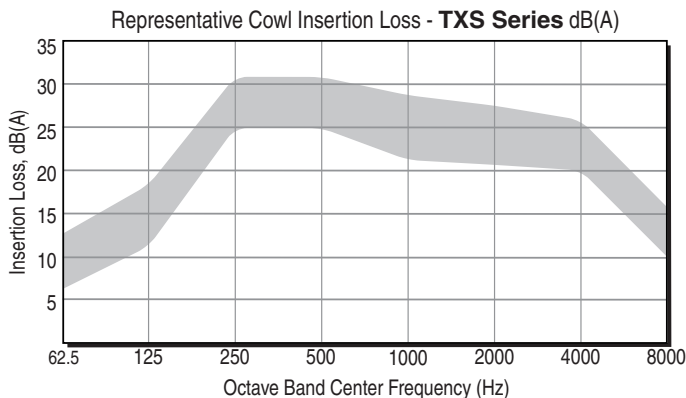
Options

- Factory Customization Available
- 316L Stainless Steel Construction
- Reverse Flow
- Inlet/Outlet Configurations
- 125/150# A.N.S.I. Flange Connections
- Male/Female N.P.T. Connections
- Exterior Finishes
- Complete line of Accessories and Mounting Brackets

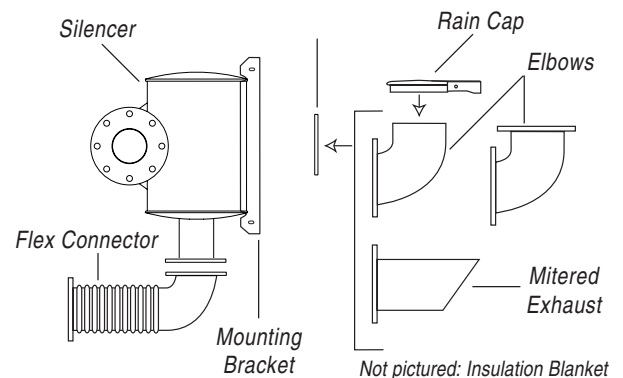
*Actual insertion loss value may vary by application.
All measurements in inches unless otherwise noted.

COWL Model No.	COWL Part No.	Inlet A dia. (I.D.)	Outlet B dia. (O.D.)	C	D	E	G	H	J	K	Approximate Weight
TXS15PR	TXS15PRS000	1.50	1.50	5.24	2.50	4.85	8.81	10.03	4.41	0.50	12 lbs
TXS20PR	TXS20PRS000	2.00	2.00	7.24	3.50	5.00	8.81	10.49	4.41	0.50	17 lbs
TXS25PR	TXS25PRS000	2.50	2.50	8.24	3.25	6.45	11.81	13.67	5.91	0.75	31 lbs
TXS30PR	TXS30PRS000	3.00	3.00	9.24	5.00	8.60	16.06	18.20	8.03	1.00	53 lbs
TXS35PR	TXS35PRS000	3.50	3.50	11.49	5.00	8.82	16.06	18.61	8.03	1.00	61 lbs
TXS40PR	TXS40PRS000	4.00	4.00	15.49	5.00	9.37	16.06	19.46	8.03	1.00	75 lbs
TXS45PR	TXS45PRS000	4.50	4.50	12.49	4.55	11.32	19.38	23.32	9.69	1.45	80 lbs
TXS50PR	TXS50PRS000	5.00	5.00	16.49	4.55	11.54	19.38	23.79	9.69	1.45	97 lbs
TXS60PR	TXS60PRS000	6.00	6.00	22.49	4.55	11.98	19.38	24.73	9.69	1.45	124 lbs
TXS70PR	TXS70PRS000	8.00	8.00	15.41	6.55	16.87	26.50	34.12	13.25	1.45	140 lbs
TXS80PR	TXS80PRS000	8.00	8.00	24.33	6.55	16.87	26.50	34.12	13.25	1.45	216 lbs
TXS100PR	TXS100PRS000	10.00	10.00	30.08	6.25	21.28	34.00	43.34	17.00	1.75	350 lbs
TXS120PR	TXS120PRS000	12.00	12.00	36.08	5.75	24.70	40.00	50.76	20.00	2.25	511 lbs

TXS-PR



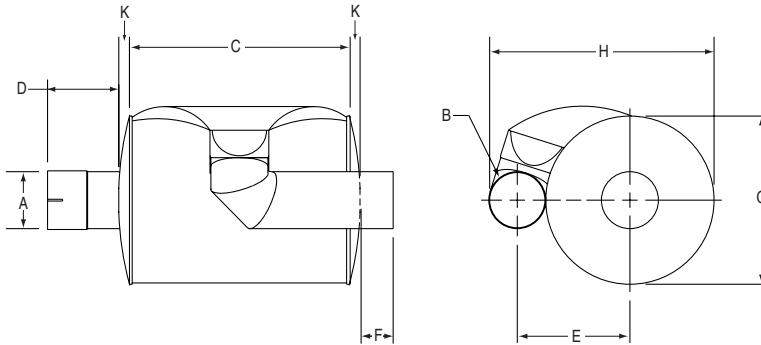
Engine Exhaust Silencer & Accessories





TXS Critical Grade - TR Model

Typical Insertion Loss 28-33 dbA*



Features

- Compact Spiral Chamber Design
- Premium Silencing
- Low Back Pressure
- Low Weight
- Aluminized Steel Construction
Maximum Temp: 1200 °F (650 °C)
- Standard High-Temperature Finish
- All MIG Welded Construction
- Steel Wool and Mesh Liner
- Slip-fit Connections Standard

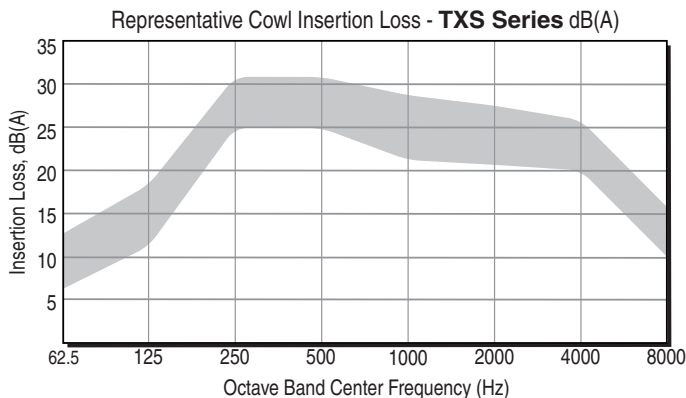
Options

- Factory Customization Available
- 316L Stainless Steel Construction
- Reverse Flow
- Inlet/Outlet Configurations
- 125/150# A.N.S.I. Flange Connections
- Male/Female N.P.T. Connections
- Exterior Finishes
- Complete line of Accessories and Mounting Brackets

*Actual insertion loss value may vary by application.
All measurements in inches unless otherwise noted.

COWL Model No.	COWL Part No.	Inlet A dia. (I.D.)	Outlet B dia. (O.D.)	C	D	E	F	G	H	K	Approximate Weight
TXS15TR	TXS15TRS000	1.50	1.50	5.24	2.50	5.19	2.07	8.81	10.38	0.50	14 lbs
TXS20TR	TXS20TRS000	2.00	2.00	7.24	3.50	5.41	2.07	8.81	10.81	0.50	19 lbs
TXS25TR	TXS25TRS000	2.50	2.50	8.24	3.25	7.16	1.82	11.81	14.31	0.75	32 lbs
TXS30TR	TXS30TRS000	3.00	3.00	9.24	5.00	9.53	2.07	16.06	19.06	1.00	52 lbs
TXS35TR	TXS35TRS000	3.50	3.50	11.49	5.00	9.78	2.07	16.06	19.56	1.00	63 lbs
TXS40TR	TXS40TRS000	4.00	4.00	15.49	5.00	10.03	2.07	16.06	20.06	1.00	77 lbs
TXS45TR	TXS45TRS000	4.50	4.50	12.49	4.55	11.94	1.46	19.38	23.88	1.45	81 lbs
TXS50TR	TXS50TRS000	5.00	5.00	16.49	4.55	12.19	2.12	19.38	24.38	1.45	98 lbs
TXS60TR	TXS60TRS000	6.00	6.00	22.49	4.55	12.69	2.05	19.38	25.38	1.45	137 lbs
TXS70TR	TXS70TRS000	8.00	8.00	15.41	6.55	17.25	3.97	26.50	34.50	1.45	147 lbs
TXS80TR	TXS80TRS000	8.00	8.00	24.33	6.55	17.25	3.97	26.50	34.50	1.45	227 lbs
TXS100TR	TXS100TRS000	10.00	10.00	30.08	6.25	22.00	2.62	34.00	44.00	1.75	375 lbs
TXS120TR	TXS120TRS000	12.00	12.00	36.08	5.75	26.00	3.71	40.00	52.00	2.25	532 lbs

TXS-TR



Engine Exhaust Silencer & Accessories

