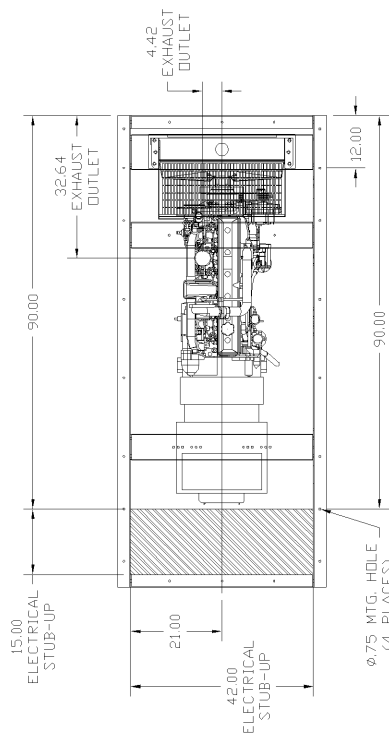


CUSTOMER APPROVAL SIGNATURE APPROVAL DATE COMMENTS

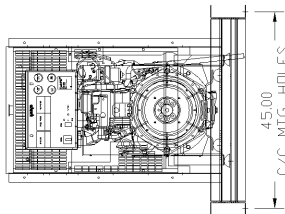
INCLUDED FEATURES	PART #	WEIGHT
ENGINE: John Deere 6068FT150	EAM009A85	1E30# (wet)
ALTERNATOR: NEWAGE DC1274C	0N0000A00	866
BASE: Heavy Duty Formed Steel	BA5000A15	500
FRONT END: 40 Lb. Ambient	KT1005A11	45
SILENCER PACKAGE: 1000 WAT	KT1005A13	45
BLUCC HEATER: 1000 WAT	KT1005A13	
BATTERY RACK & CABLES:	KT1005A00	
CONTROL BOX: 1 Phase Analog ECU	BC0409A21B	2600
WEIGHT SUBTOTAL:	>>>>>	2850
MISC. WEIGHT: 10% OF SUBTOTAL	>>>>>	

NOTES:

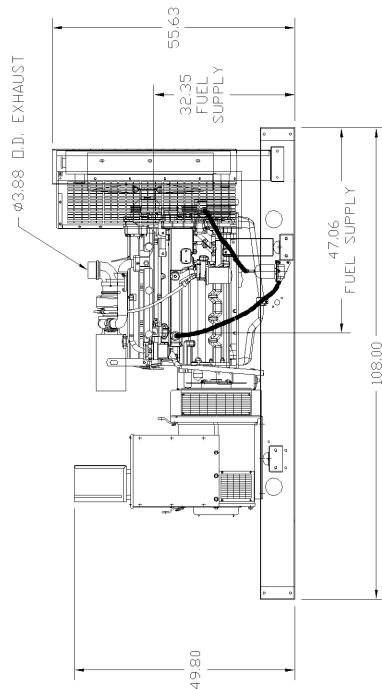
1) ALL DIMENSIONS IN INCHES



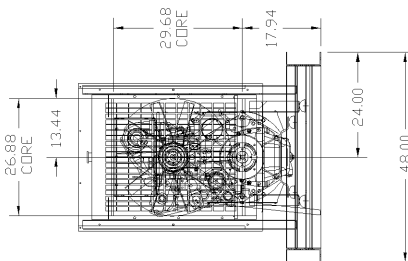
PLAN VIEW



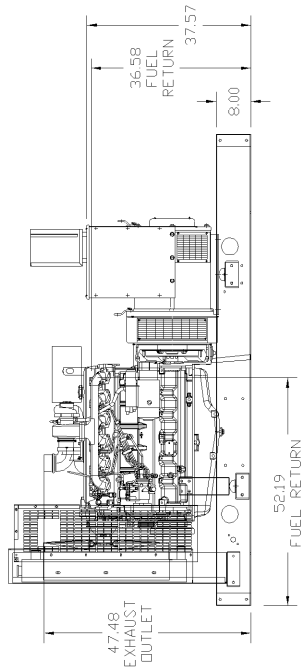
REAR VIEW



RIGHT VIEW



FRONT VIEW



LEFT VIEW

REV. DESC: NEW AG DLC100-1J@S: 240/1 OP: 1 C3

REV. LTR: - VERSION: 00

FILE: \PGA\00006\964

REVISED: 14:48:13 05/10/2005

MTL: - BY: PGM/QMO

TDR: 000000364038

BY: PGM/QMO

BALDOR ELECTRIC Co.

AG DLC100-1J@S: 240/1 OP: 1 C3