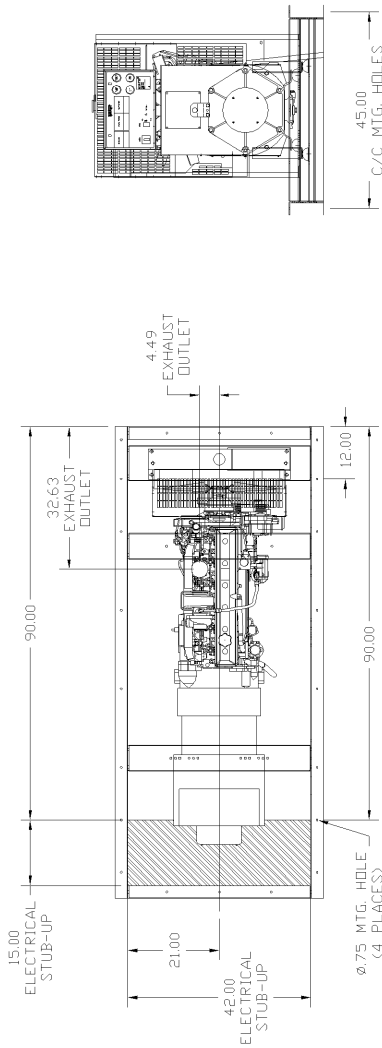


CUSTOMER APPROVAL SIGNATURE APPROVAL DATE COMMENTS

INCLUDED FEATURES	PART #	WEIGHT
ENGINE: John Deere 606BHT50	EA0009A67	128.0# (wet)
ALTERNATOR: NEWAGE DCE274F	0N0052A00	1148
BASE: heavy Duty Formed Steel	BA5000A15	500
FRONT END: 40 Lb. Ambient	KT1005A03	425
SILENCER PACKAGE: 40 Lb. Ambient	KT1005A03	425
BLUCC HEATER: 1000 WATT, 120 Volt	KT1005A03	425
BATTERY RACK & CABLES:	KT1005A03	
CONTROL BOX: 1 Phase Analog ECU	BC0409A25B	2970
WEIGHT SUBTOTAL:	>>>>>>	3270
MISC. WEIGHT: 10% OF SUBTOTAL	>>>>>>	

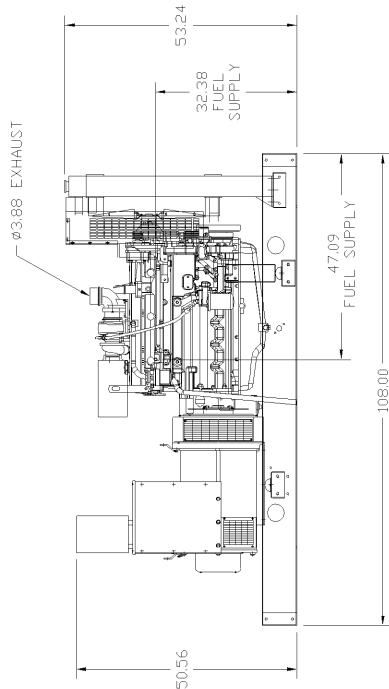
NOTES:

1) ALL DIMENSIONS IN INCHES

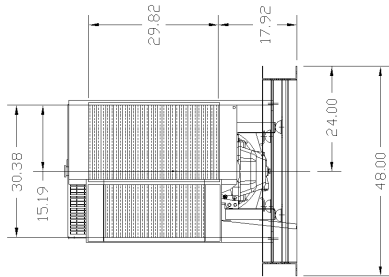


PLAN VIEW

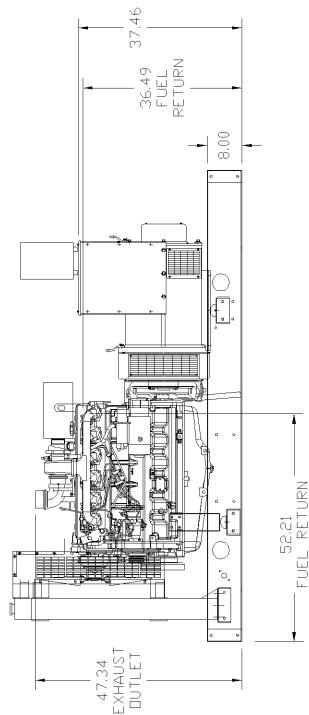
REAR VIEW



RIGHT VIEW



FRONT VIEW



LEFT VIEW

REV. DESC: NEW AG DLC150-1J@S: 240/1 OP: 1 C3

REV. LTR: - VERSION: 00

FILE: \PGA\00006\973

REVISED: 14:50:44 05/10/2005

MTL: - BY: PGM/QMO

TDR: 000000364038

BALDOR ELECTRIC Co.

AG DLC150-1J@S: 240/1 OP: 1 C3