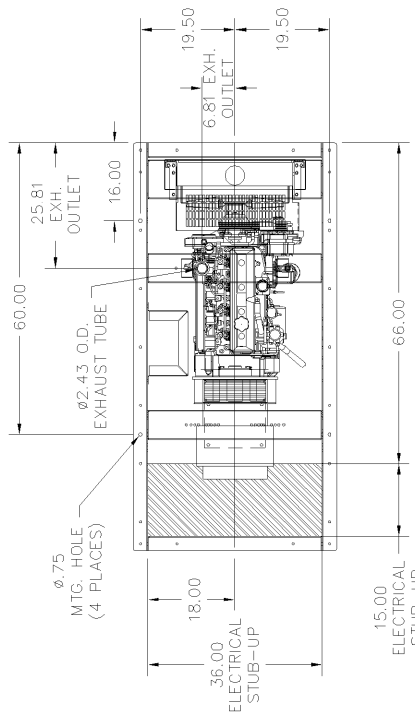
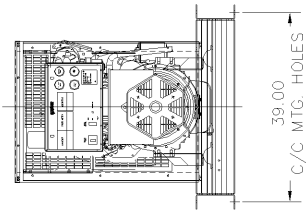


CUSTOMER APPROVAL SIGNATURE APPROVAL DATE COMMENTS

INCLUDED FEATURES	PART #	WEIGHT
ENGINE: John Deere 4055DF150	E40009482	890# (Wet)
ALTERNATOR: NEWAGE EC18HG	GN0016A12	344
BASE: Heavy Duty Formed Steel	BA500D140	250
Generator Mounted 40 C. Ambient	K1005E411	100
STEELER PACKAGE	K1005E411	100
BLOCK HEATER: 1000i Watt, 120 Volt	K1005LA00	30
BATTERY RACK & CABLES:	K1005LA00	
CONTROL BOX: 1 Phase Analog ECU	BE0408A34B	1615
WEIGHT SUBTOTAL:	>>>>>>	1780
MISC. WEIGHT: 10% OF SUBTOTAL	>>>>>>	



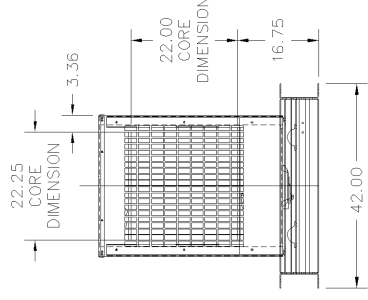
PLAN VIEW



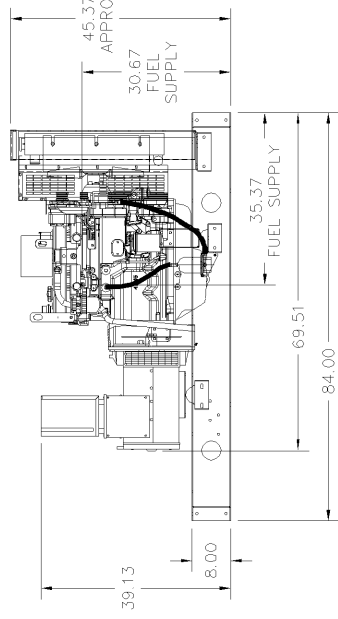
REAR VIEW

NOTES:

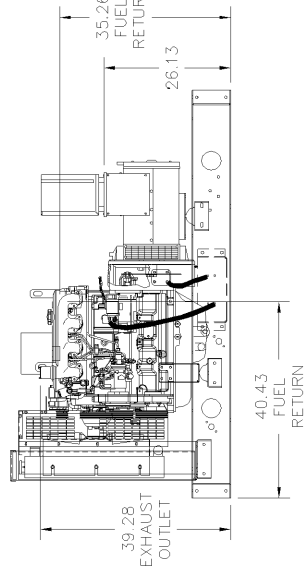
1) ALL DIMENSIONS IN INCHES



FRONT VIEW



RIGHT VIEW



LEFT VIEW

REV. DESC: NEW AG DLC30-1J@S 240/1 OP I C3	TDR: 000000364038
REV. LTR: -	VERSION: 00
FILE: \PGA\00006\944	REVISED: 14:43:18 05/10/2005
MTL: -	BY: PGM/QMO

BALDOR ELECTRIC Co.

AG DLC30-1J@S 240/1 OP I C3