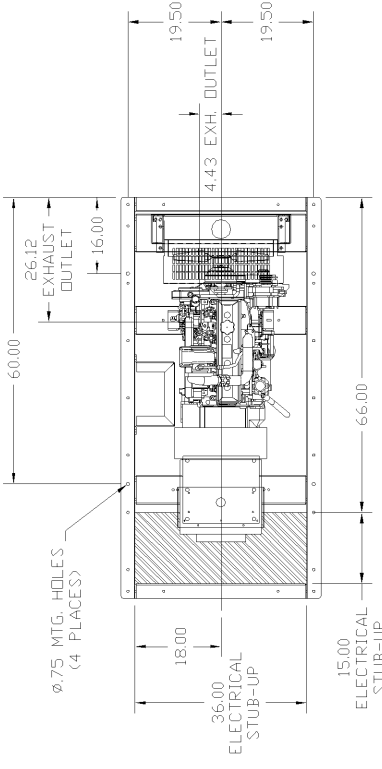


CUSTOMER APPROVAL SIGNATURE APPROVAL DATE COMMENTS

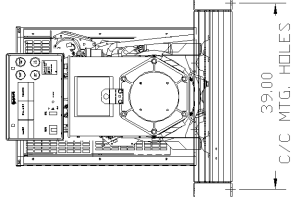
INCLUDED FEATURES	PART #	WEIGHT
ENGINE: John Deere 4045FF150	EA0009A83	915# (WET)
ALTERNATOR: NEWAGE UC12E4D	000053A01	5833
BASE: Heavy Duty Formed Steel	BA5000A11	230
FRONT HOUSING: Formed 40 L. Ambient	KT1005A00	108
SLINGER PACKAGE: Formed 40 L. Ambient	KT1005A20	33
BLUICK HEATER: 1000 WATT, 120 V/60T	KT1005A00	
BATTERY RACK & CABLES:	KT1005A00	
CONTROL BOX: 1 Phase Analog ECU	BC0408B34B	1885
WEIGHT SUBTOTAL:	>>>>>	2075
MISC. WEIGHT: 10% OF SUBTOTAL	>>>>>	2075

NOTES:

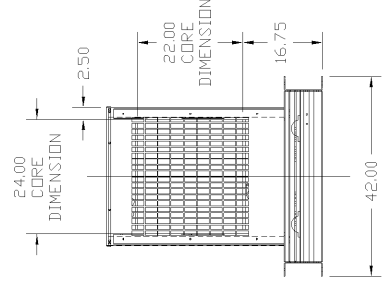
1) ALL DIMENSIONS IN INCHES



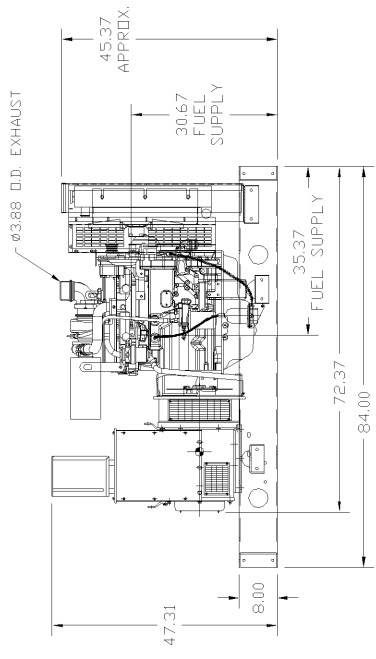
PLAN VIEW



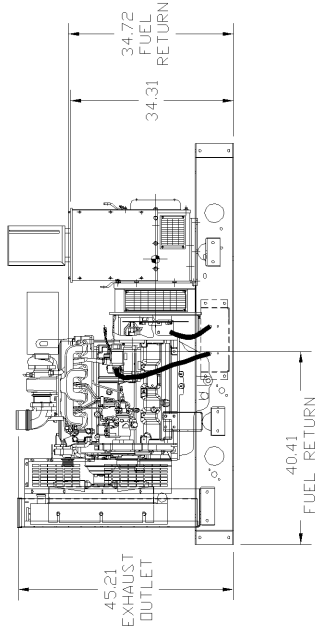
REAR VIEW



FRONT VIEW



RIGHT VIEW



LEFT VIEW