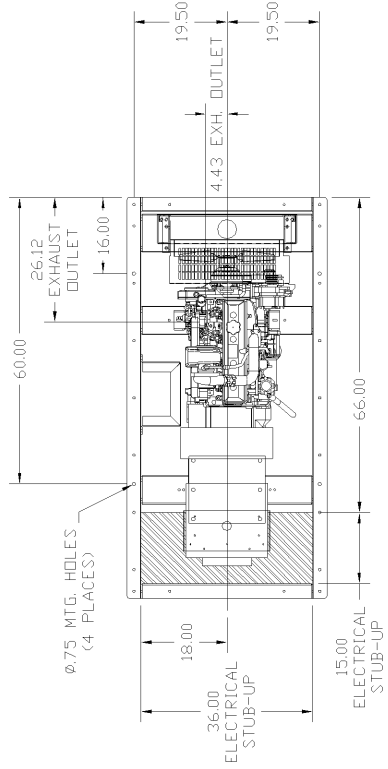


CUSTOMER APPROVAL SIGNATURE APPROVAL DATE COMMENTS

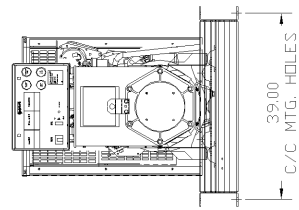
| INCLUDED FEATURES | PART # | WEIGHT |
|----------------------------------|------------|------------|
| ENGINE: John Deere 4045FT150 | EA0009A63 | 915# (WET) |
| ALTERNATOR: NEWAGE UC12E4F | 0N0016A13 | 714 |
| BASE: heavy Duty Formed Steel | BA3000A11 | 230 |
| FLIGHT CONTROLLER: 40T-Absent | KT1005A40 | 108 |
| ENGINEER PACKAGE: 1000 | KT1005A40 | 33 |
| BLOCK HEATER: 1000 VOLT 120 VOLT | KT1005A40 | |
| BATTERY PACK & CABLES: | KT1005A40 | |
| CONTROL BOX: 1 Phase Analog ECU | BC1408B348 | 2015 |
| WEIGHT SUBTOTAL: | >>>>> | 2215 |
| MISC. WEIGHT: 10% OF SUBTOTAL | >>>>> | 2215 |

NOTES:

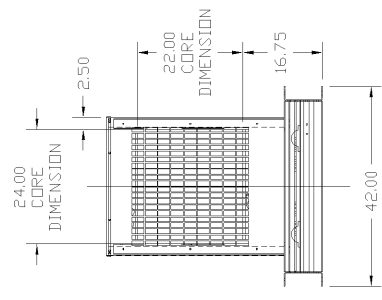
1) ALL DIMENSIONS IN INCHES



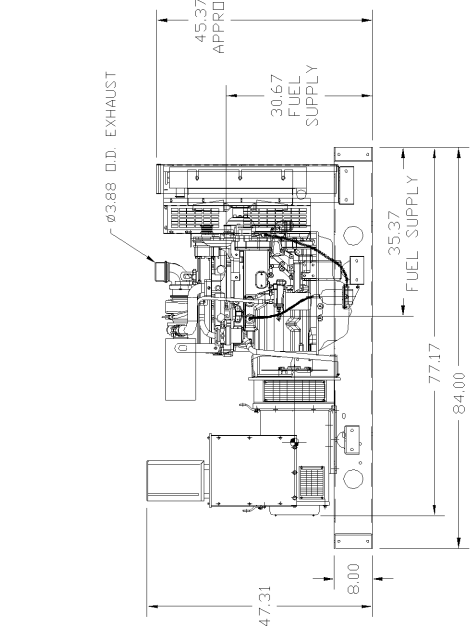
PLAN VIEW



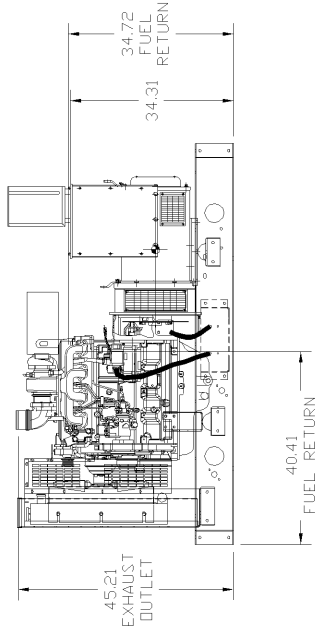
REAR VIEW



FRONT VIEW



RIGHT VIEW



LEFT VIEW

| | |
|---|------------------------------|
| REV. DESC: NEW AG DLC60-1J06S 240/1 OP I C3 | TDR: 000000364038 |
| REV. LTR: - | VERSION: 00 |
| FILE: \PGA\00006\956 | REVISED: 14:45:36 05/10/2005 |
| MTL: - | BY: PGMCMO |

BALDOR ELECTRIC Co.

AG-DLC60-1J06S 240/1 OP I C3