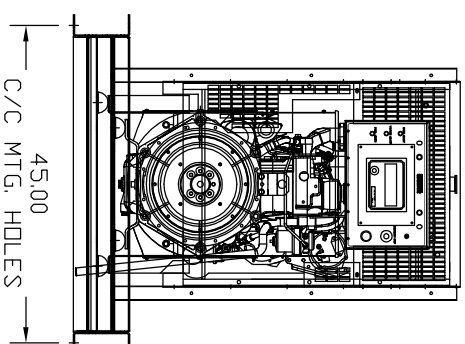
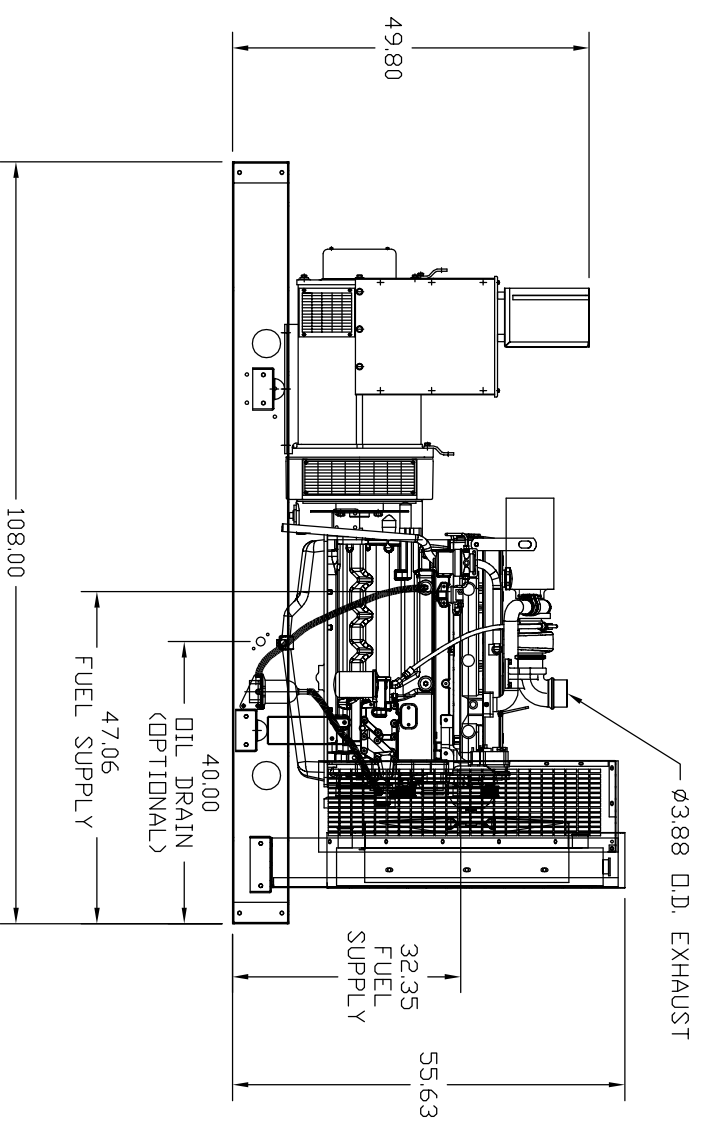


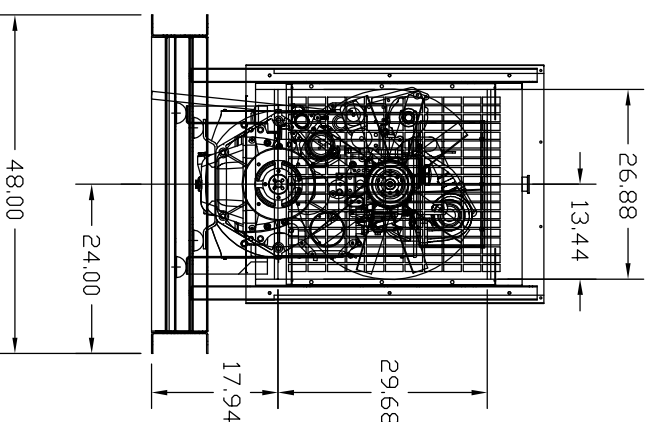
PLAN VIEW



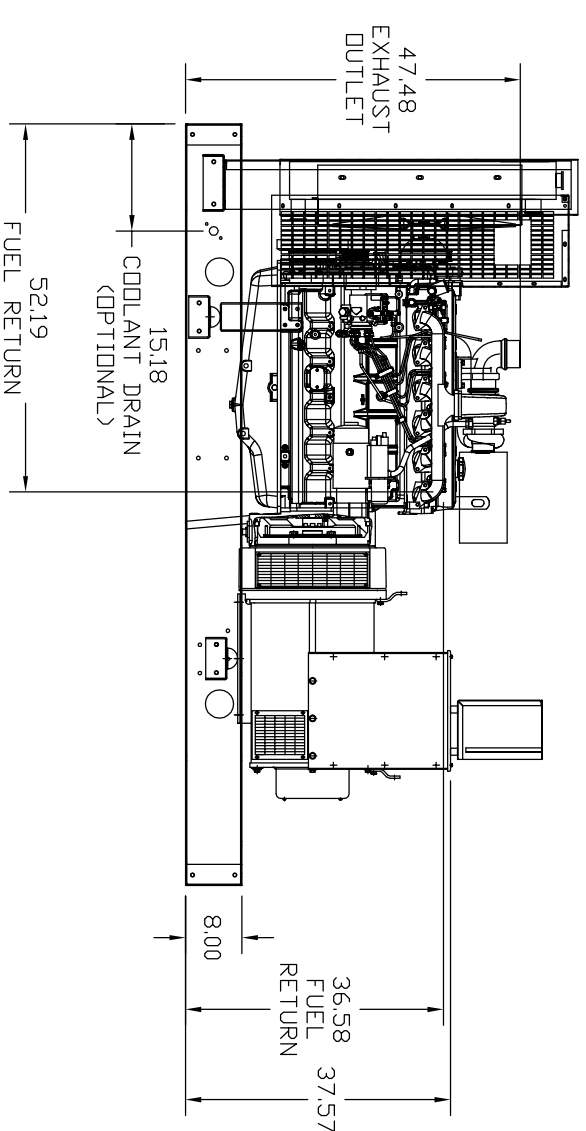
REAR VIEW



RIGHT VIEW



FRONT VIEW



LEFT VIEW

JOHN DEERE	TANK		WET WEIGHT	2900 Lbs.
TANK RUN TIME	CAPACITY	PART #	LENGTH	ADDITIONAL WEIGHT (EMPTY)
12 Hours	100 GAL	TA0000B71	108"	1000 LBS
24 Hours	200 GAL	TA0000B73	108"	1300 LBS

REV. DESC: NEW	VERSION: 00	TDR: 000000339114
REV. LTR: -	REVISED: 15:15:54 11/23/2004	BY: PGJOEEO
FILE: \PGA\00006\198		
MTL: -		

BALDOR ELECTRIC Co.

IDLC100.JD.OPEN.STD