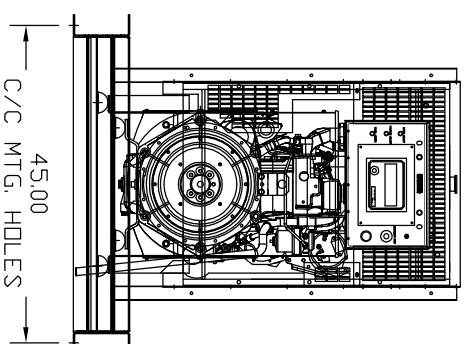
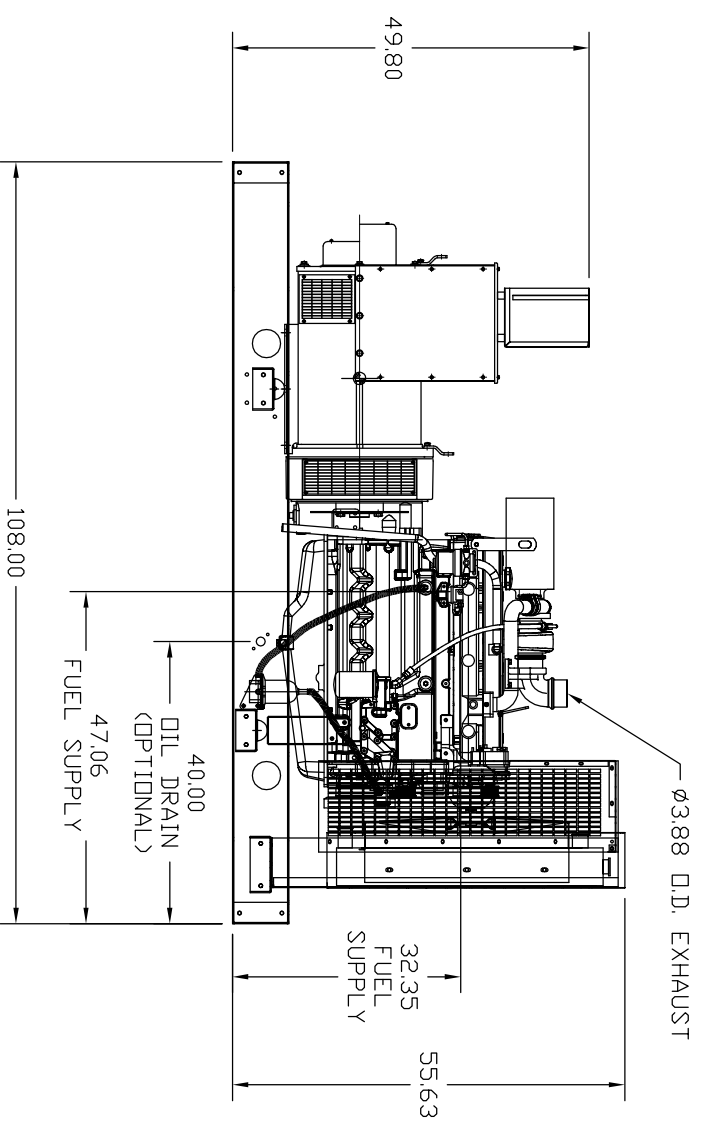


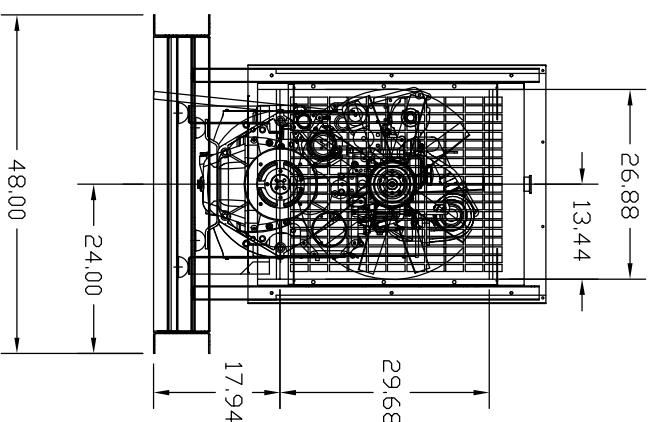
PLAN VIEW



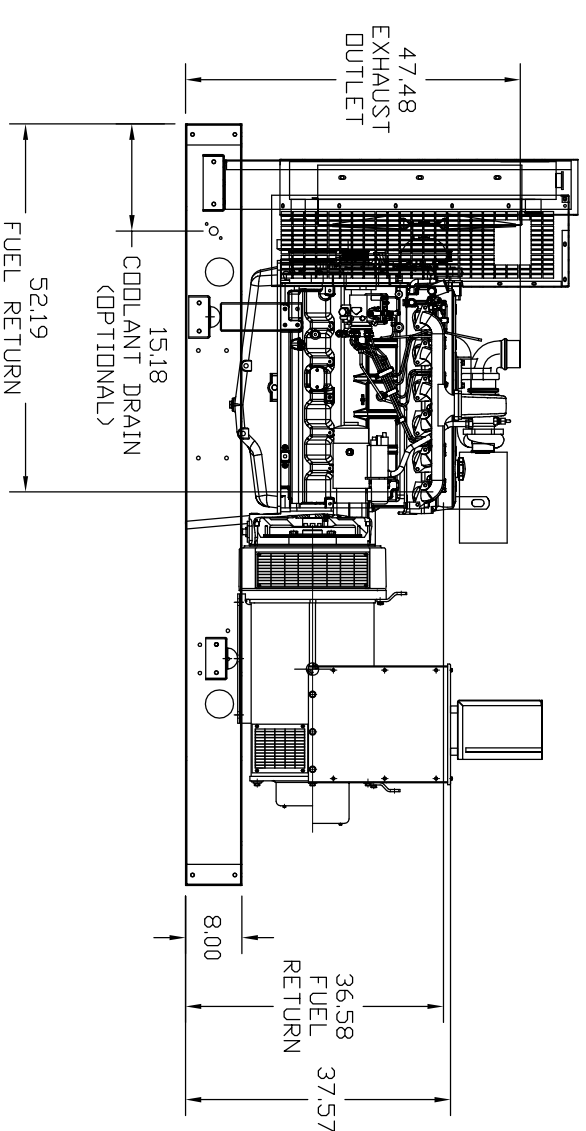
REAR VIEW



RIGHT VIEW



FRONT VIEW



LEFT VIEW

JOHN DEERE	WET WEIGHT		3100 Lbs.			
TANK RUN TIME	TANK CAPACITY	TANK PART #	LENGTH	WIDTH	HEIGHT	ADDITIONAL WEIGHT (EMPTY)
12 Hours	120 GAL	TA0000B74	108"	48"	12"	1100 LBS
24 Hours	230 GAL	TA0000B53	108"	48"	19"	1300 LBS

REV. DESC: NEW	VERSION: 00	TDR: 000000339114
REV. LTR: -	REVISED: 08:23:46 11/24/2004	BY: PGJOEEO
FILE: \PGA\00006\204		
MTL: -		

BALDOR ELECTRIC Co.

IDLC125.JD.OPEN.STD