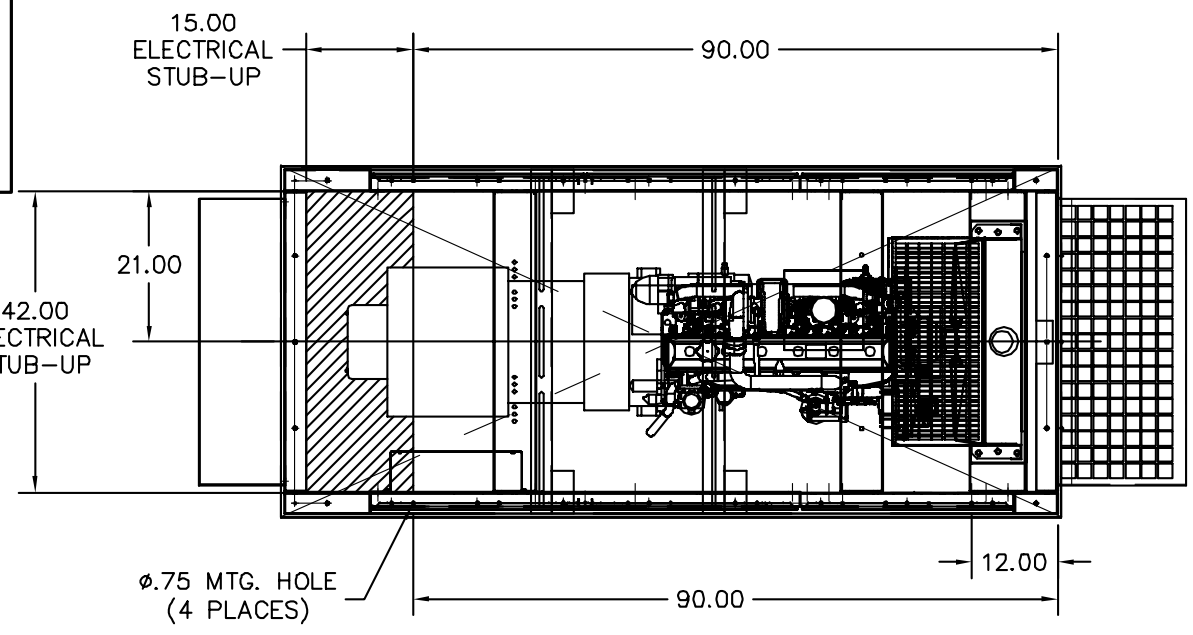
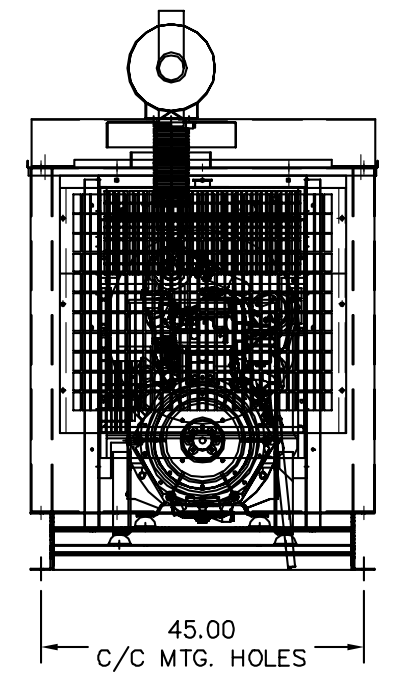


AY0080C47

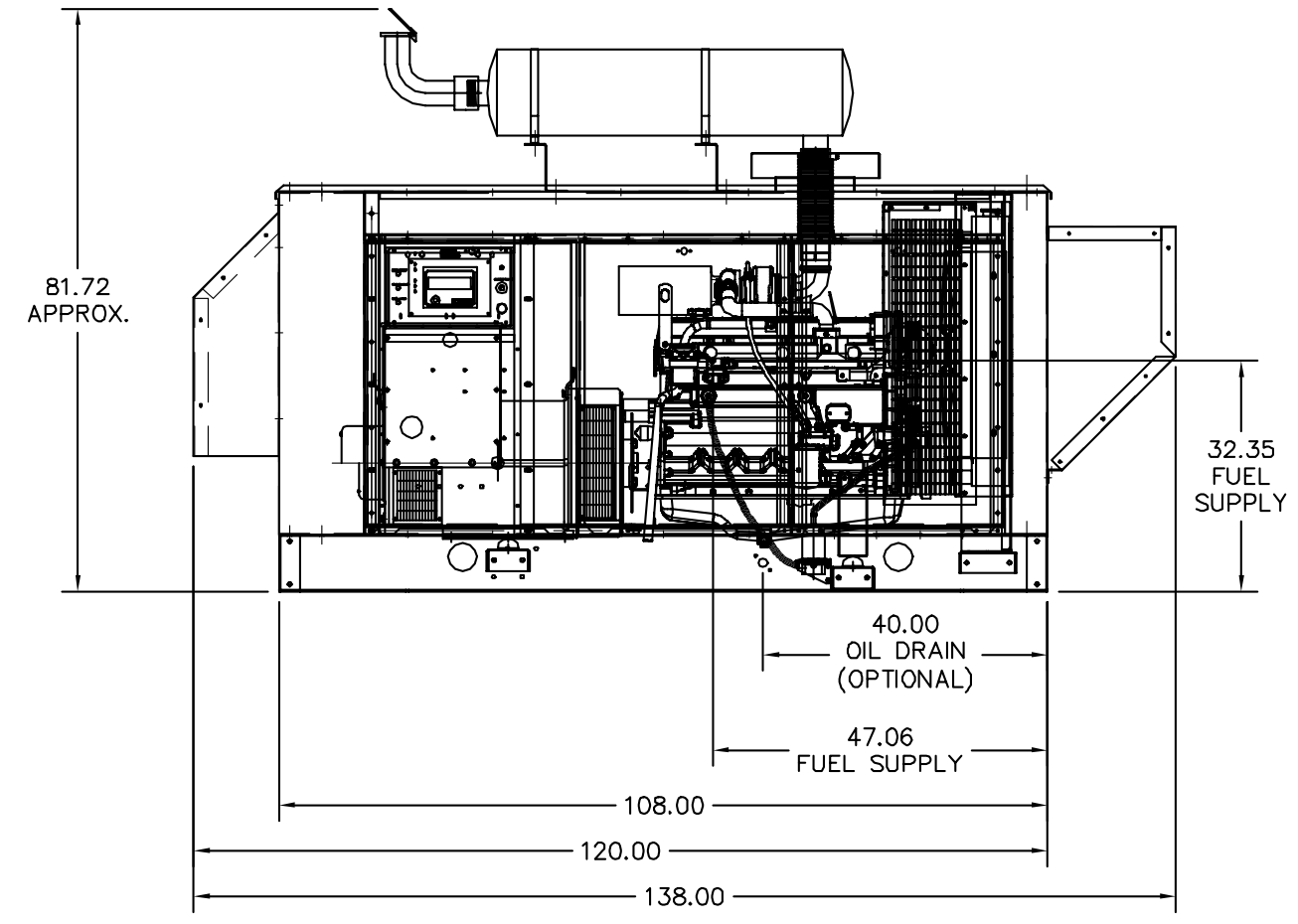
JOHN DEERE		WET WEIGHT				3900 Lbs.
TANK RUN TIME	TANK CAPACITY	TANK PART #	LENGTH	WIDTH	HEIGHT	ADDITIONAL WEIGHT (EMPTY)
12 Hours	120 GAL	TA0000B74	108"	48"	12"	1000 LBS
24 Hours	230 GAL	TA0000B53	108"	48"	19"	1300 LBS



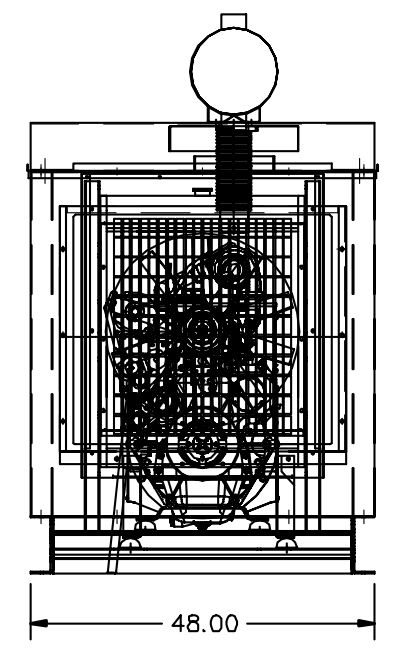
PLAN VIEW



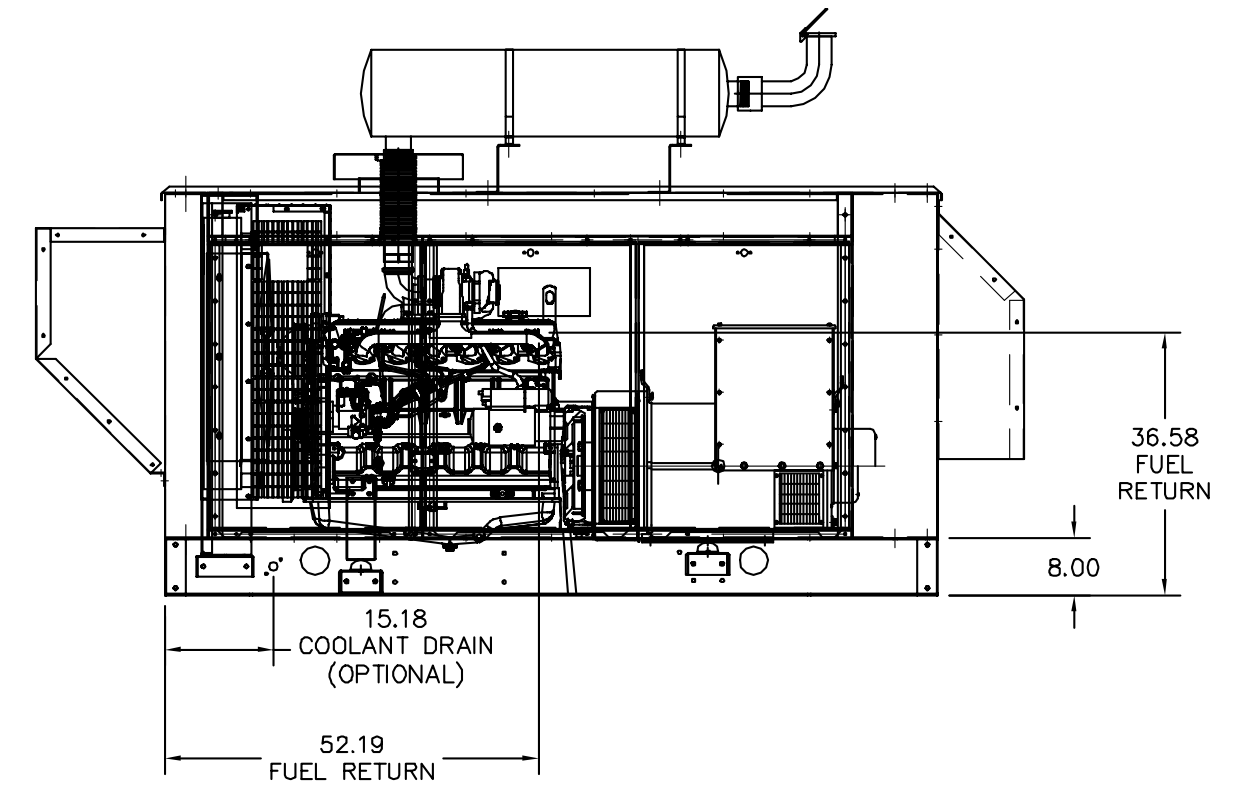
REAR VIEW



RIGHT VIEW



FRONT VIEW



LEFT VIEW

REV. DESC: NEW	VERSION: 00	TDR: 00000339114
REV. LTR: -	REVISED: 09: 34: 13 11/24/2004	BY: PGJOEE0
FILE: \PGA\00006\206		
MTL: -		

BALDOR ELECTRIC Co.

IDLC125,JD,ECON W/ FOAM,STD

AY0080C47