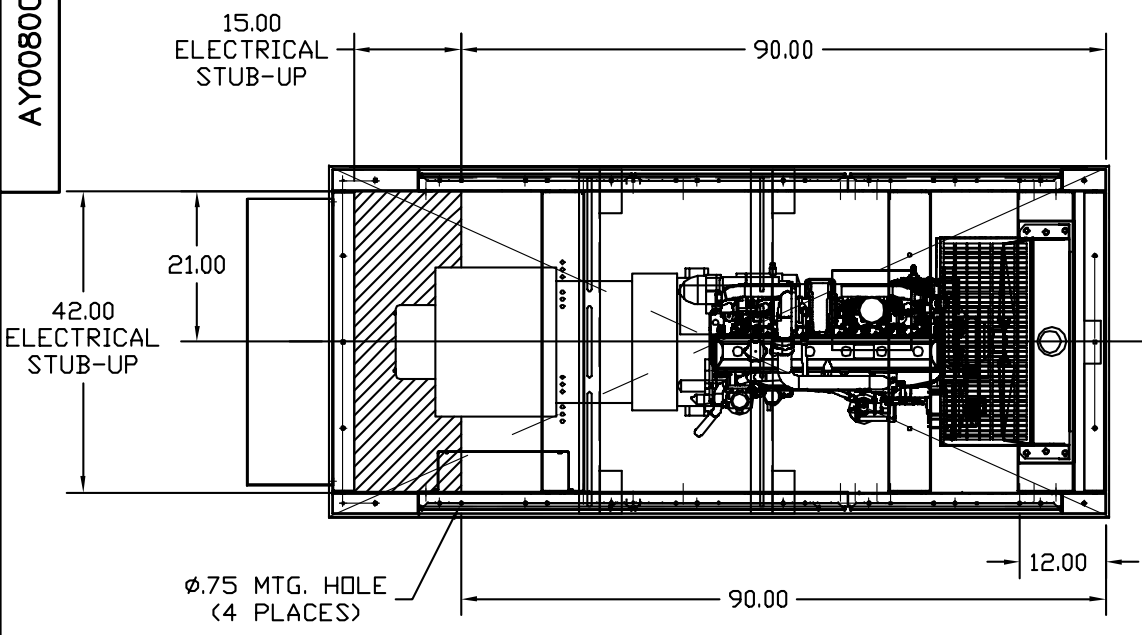
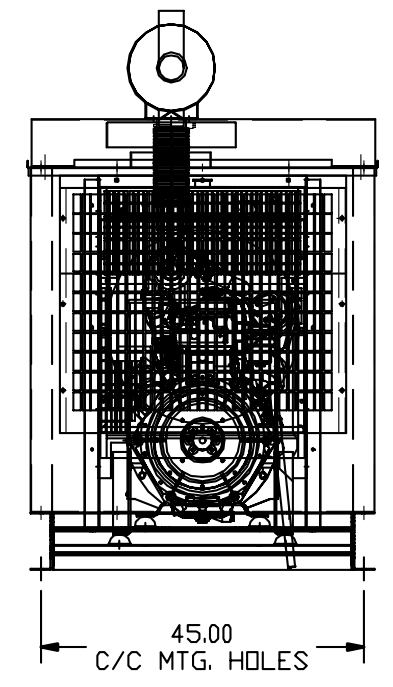


AY0080C46

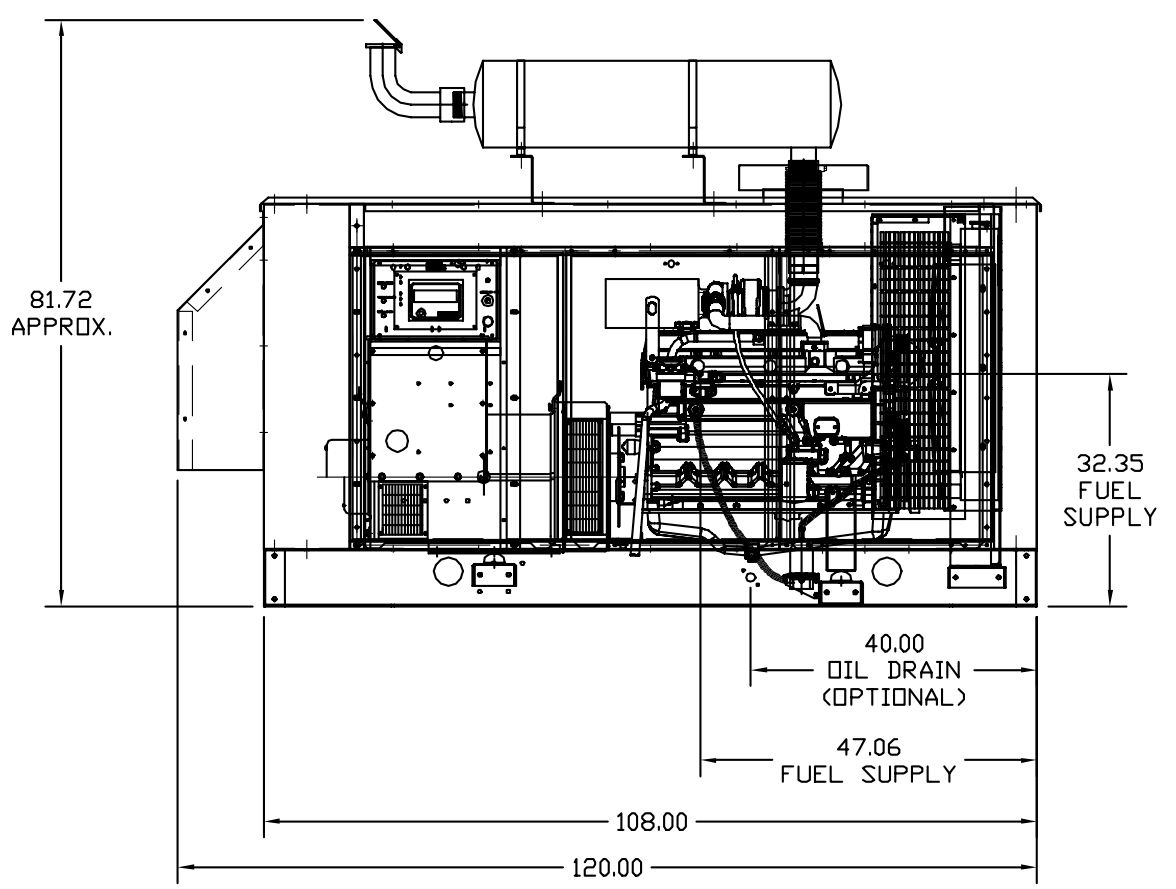


PLAN VIEW

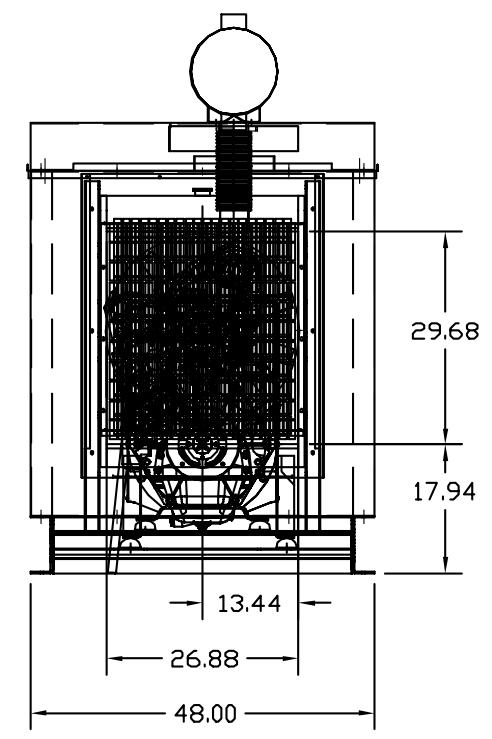


REAR VIEW

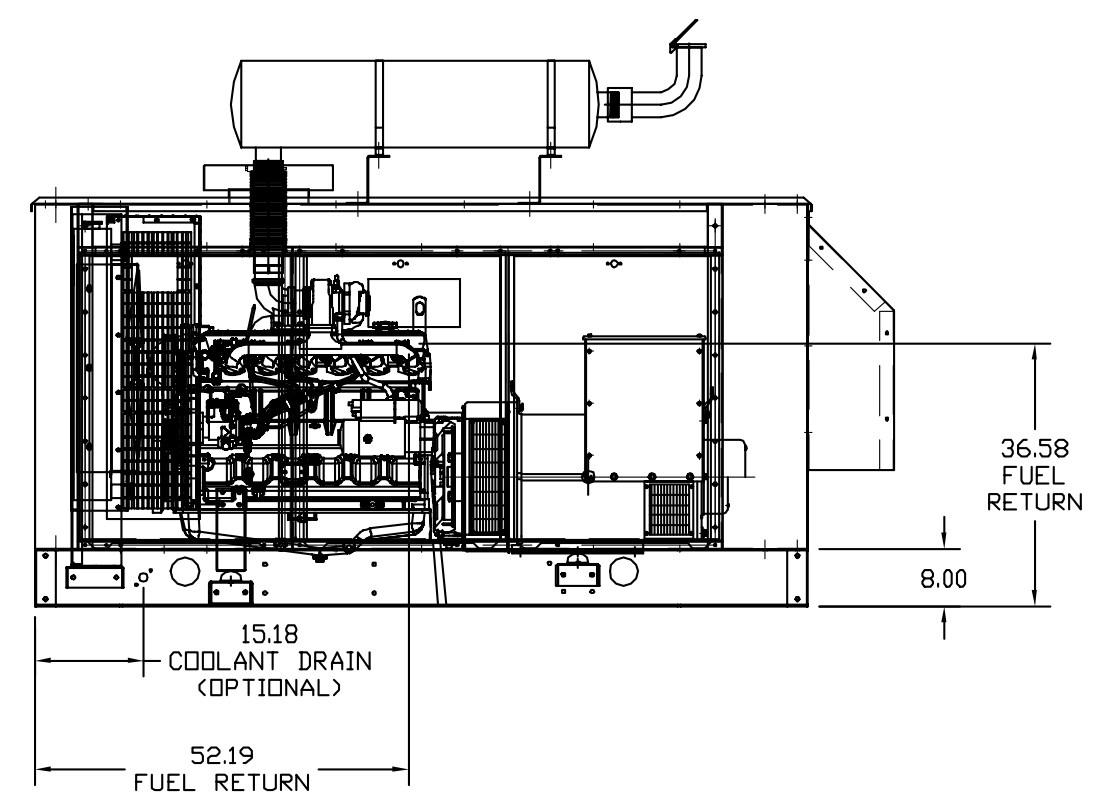
JOHN DEERE		WET WEIGHT			3800 Lbs.	
TANK RUN TIME	TANK CAPACITY	TANK PART #	LENGTH	WIDTH	HEIGHT	ADDITIONAL WEIGHT (EMPTY)
12 Hours	120 GAL	TA0000B74	108"	48"	12"	1100 LBS
24 Hours	230 GAL	TA0000B53	108"	48"	19"	1300 LBS



RIGHT VIEW



FRONT VIEW



LEFT VIEW

REV. DESC: NEW	VERSION: 00	TDR: 000000339114
REV. LTR: -	REVISED: 08: 49:14 11/24/2004	BY: PGJOEE0
FILE: \PGA\00006\205		
MTL: -		

BALDOR ELECTRIC Co.

IDLC125,JD,ECON,STD

AY0080C46