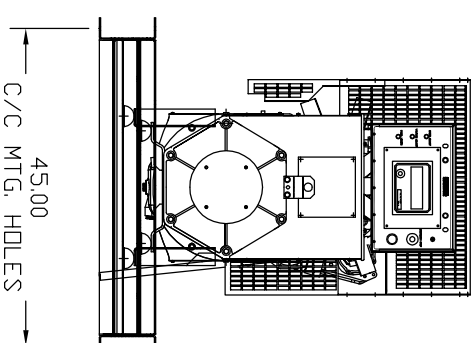
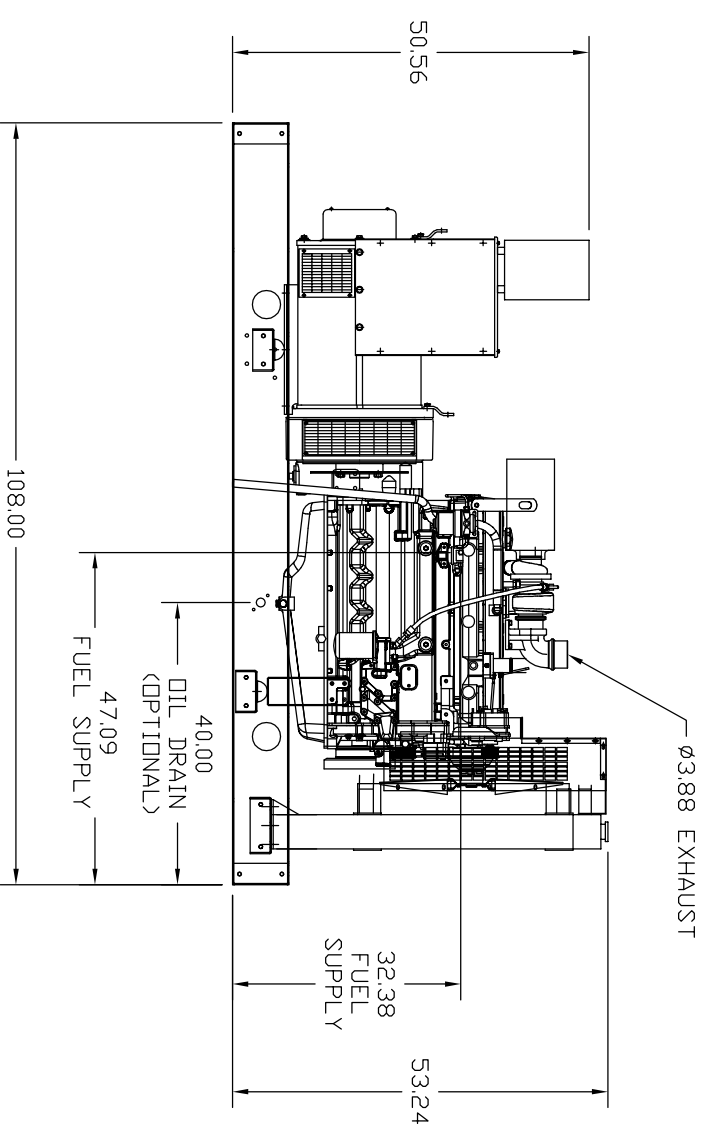


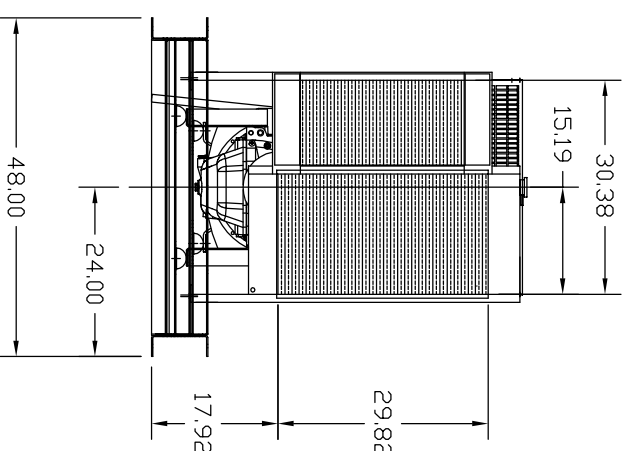
PLAN VIEW



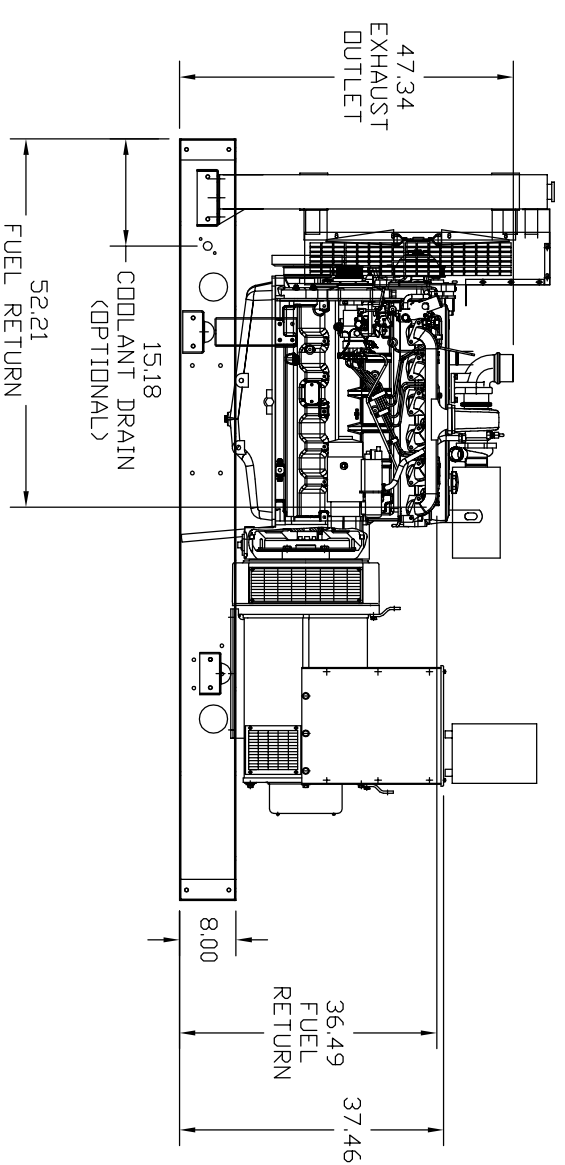
REAR VIEW



RIGHT VIEW



FRONT VIEW



LEFT VIEW

JOHN DEERE	WET WEIGHT		3200 Lbs.
TANK RUN TIME	TANK CAPACITY	TANK PART #	ADDITIONAL WEIGHT (EMPTY)
12 Hours	150 GAL		1200 LBS
24 Hours	300 GAL	TA0000B77	1500 LBS
		108"	48"
		48"	14"
		26"	

REV. DESC: NEW	VERSION: 00	TDR: 000000339114
REV. LTR: -	REVISED: 13:56:27 11/24/2004	BY: PGJOEEO
FILE: \PGA\00006\224		
MTL: -		

BALDOR ELECTRIC Co.

IDLC150.JD.OPEN.STD