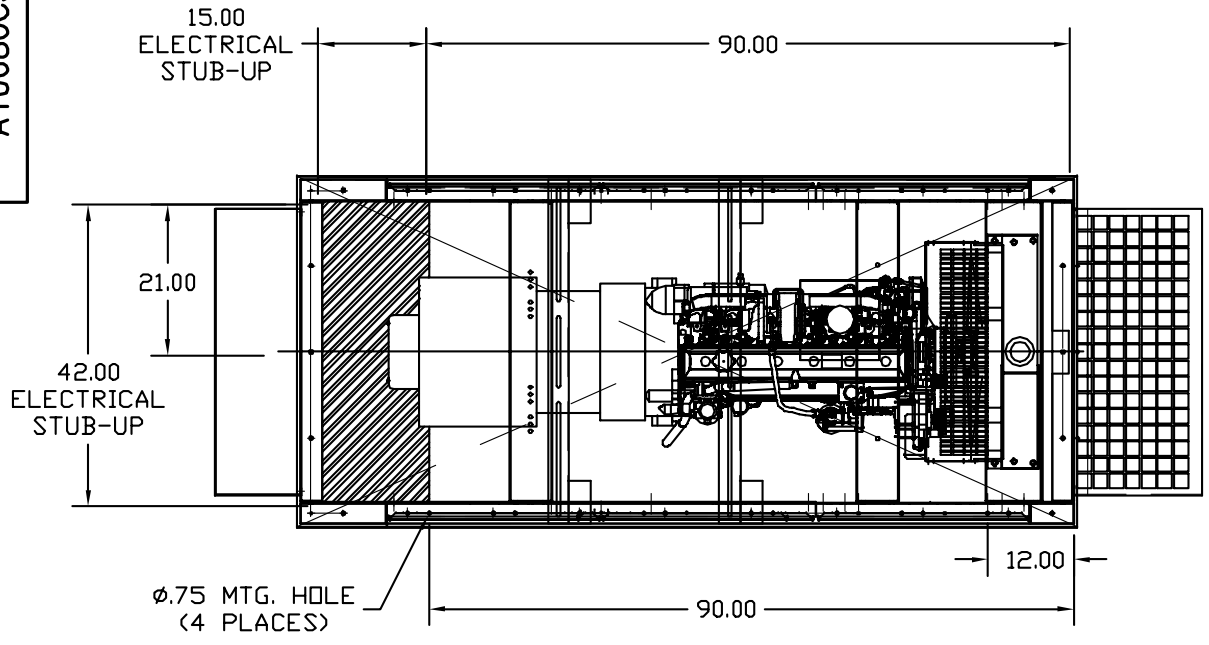
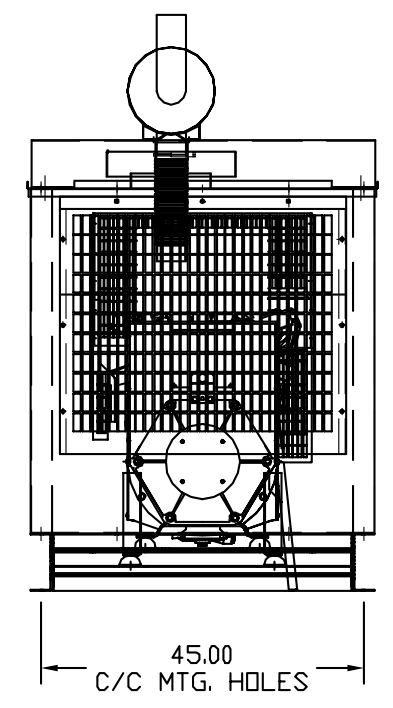


AY0080C53

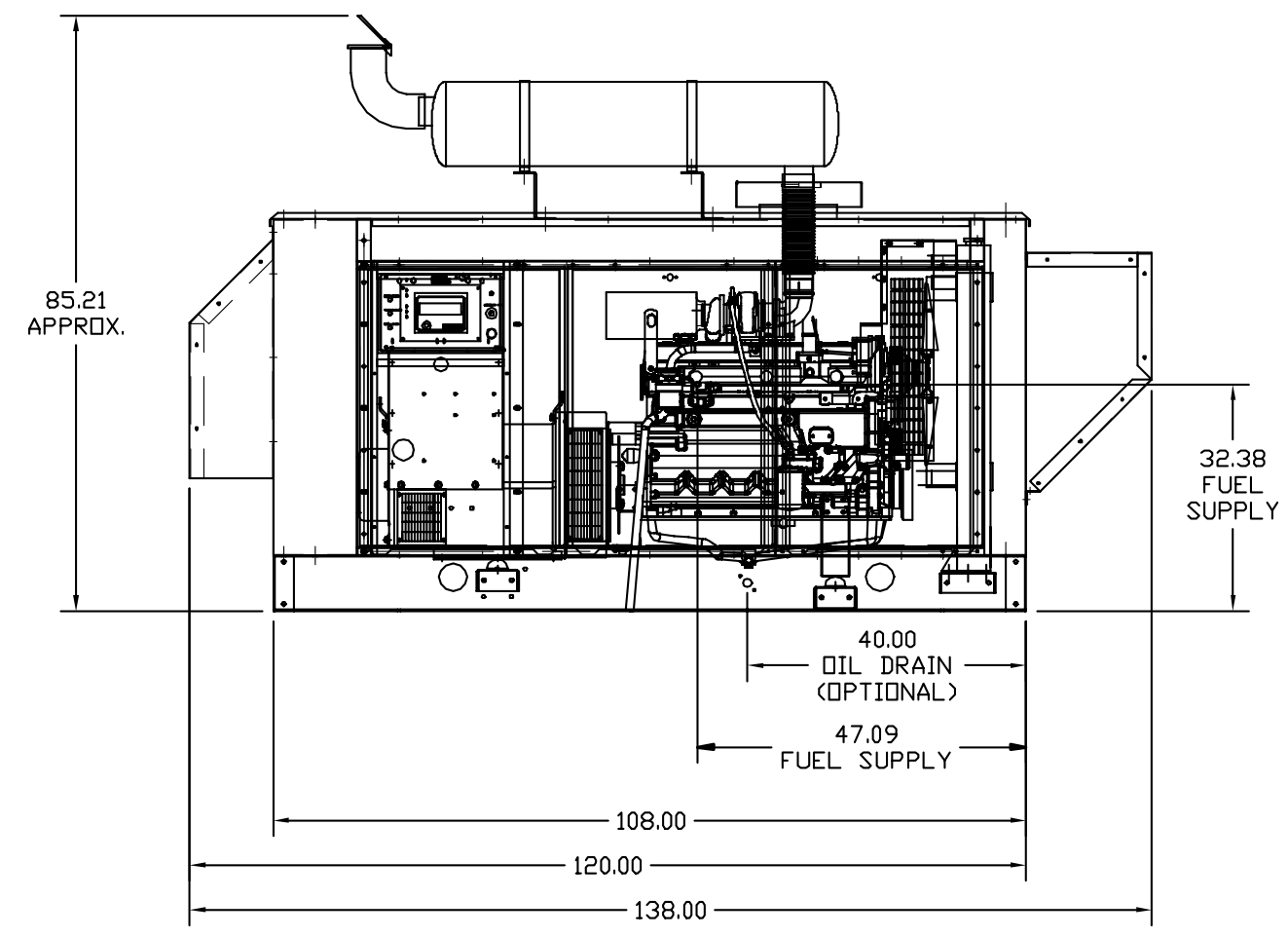
JOHN DEERE			WET WEIGHT			4100 Lbs.
TANK RUN TIME	TANK CAPACITY	TANK PART #	LENGTH	WIDTH	HEIGHT	ADDITIONAL WEIGHT (EMPTY)
12 Hours	150 GAL		108"	48"	14"	1200 LBS
24 Hours	300 GAL	TA0000B77	108"	48"	26"	1500 LBS



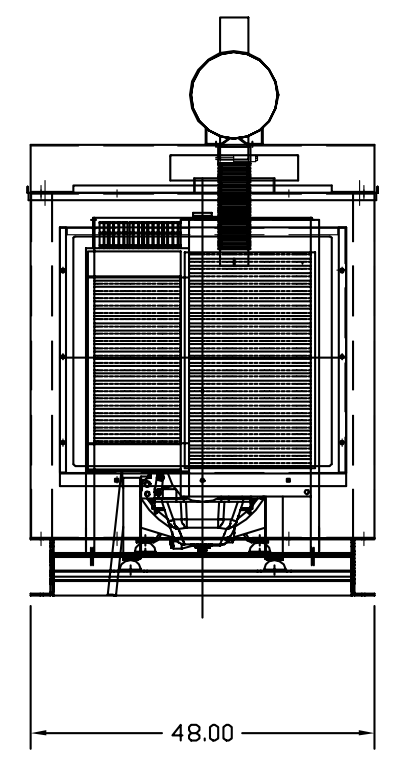
PLAN VIEW



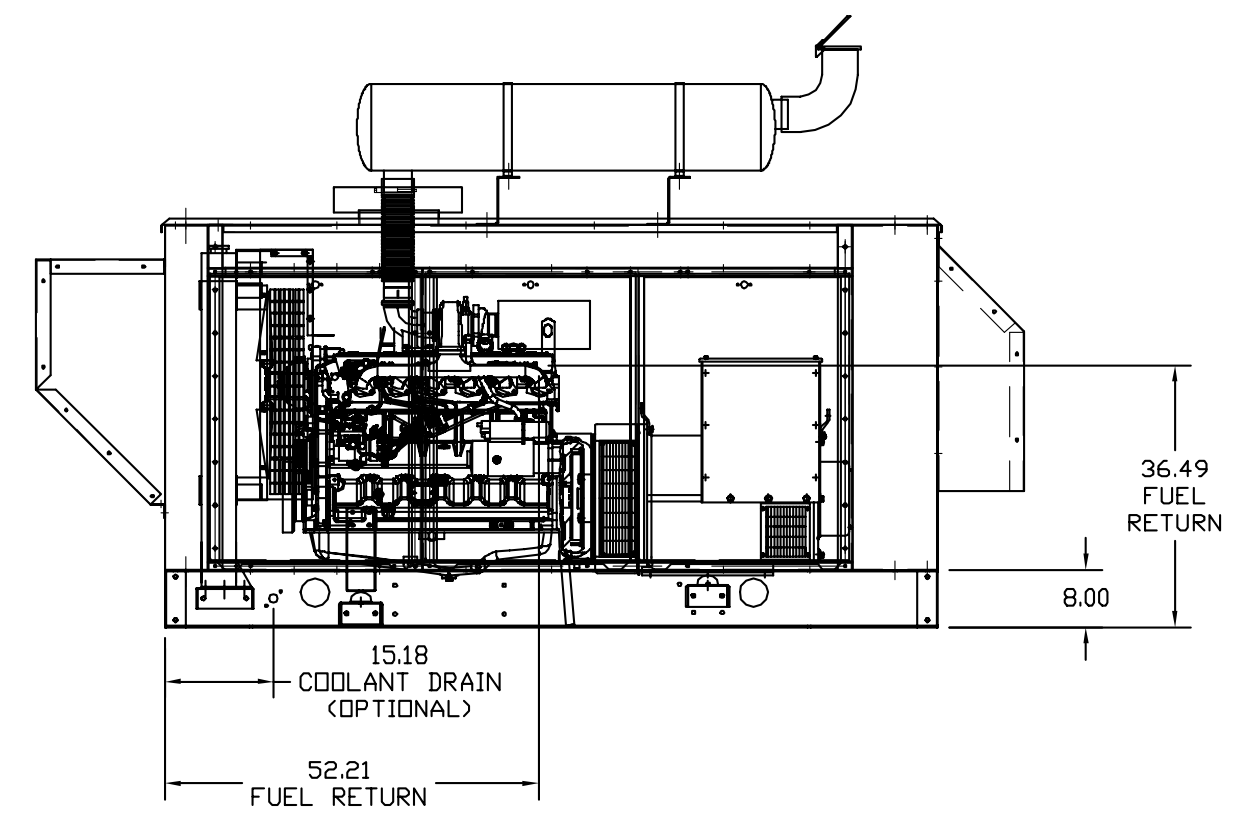
REAR VIEW



RIGHT VIEW



FRONT VIEW



LEFT VIEW

REV. DESC: NEW	VERSION: 00	TDR: 000000339114
REV. LTR: -	REVISED: 13: 27: 42 11/24/2004	BY: PGJOEEO
FILE: \PGA\00006\226		
MTL: -		

BALDOR ELECTRIC Co.

IDLC150,JD,ECON W/FOAM,STD

AY0080C53