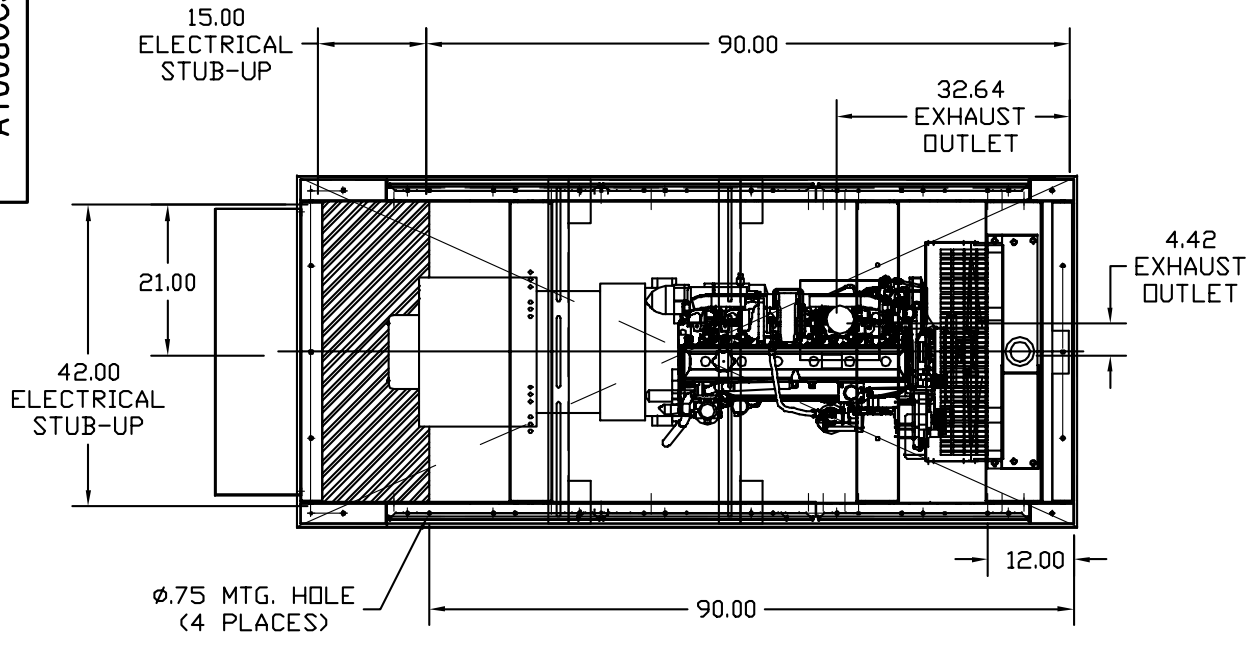
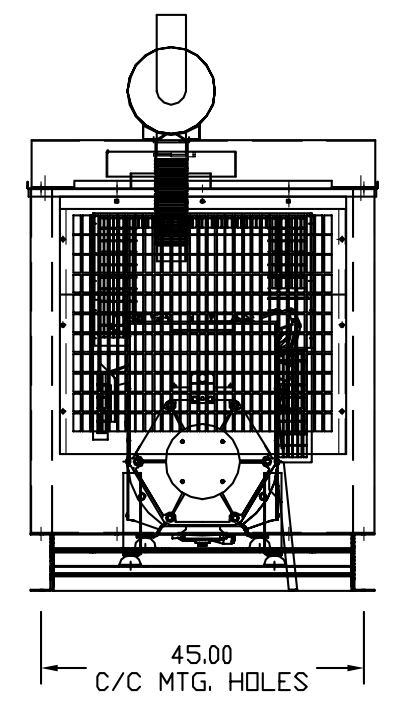


AY0080C52

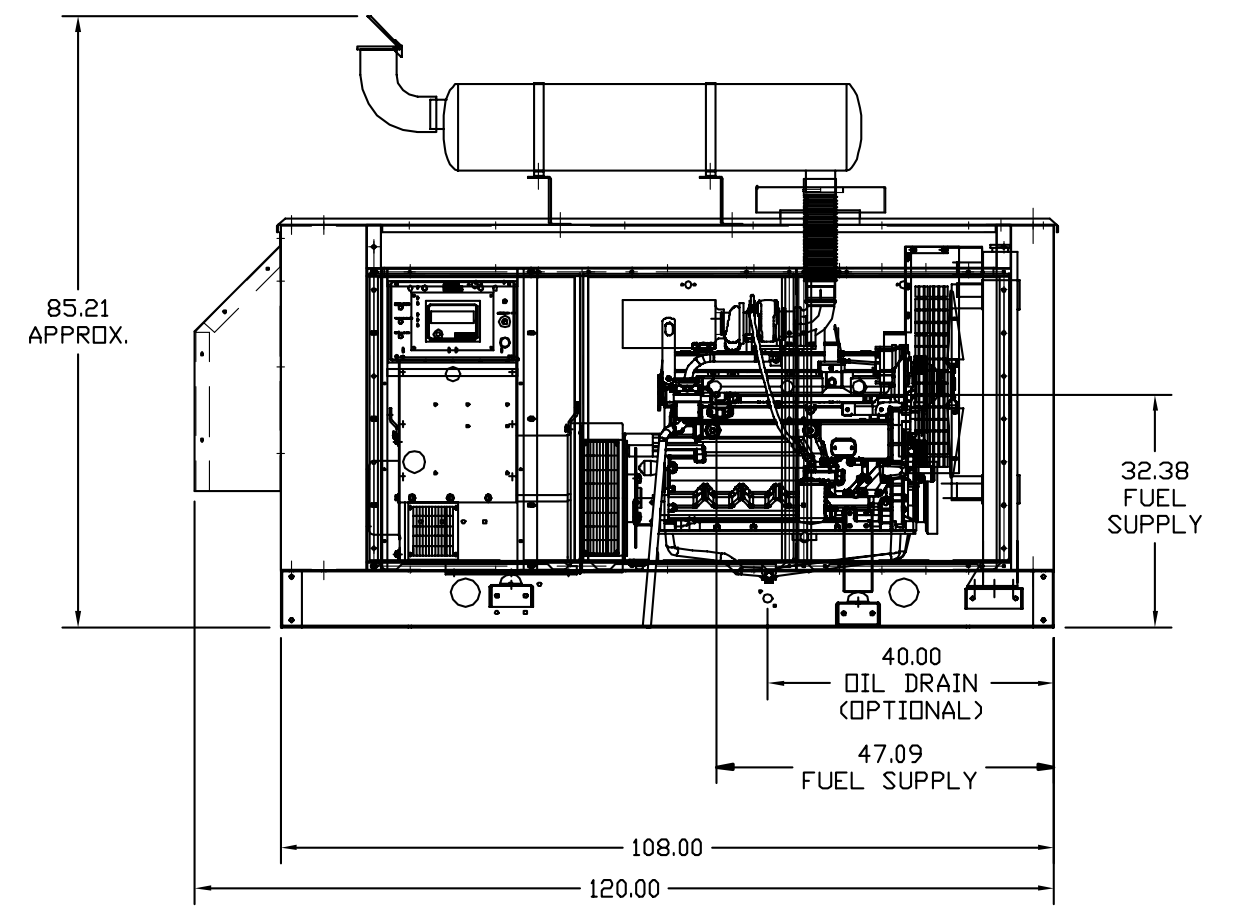
JOHN DEERE			WET WEIGHT			4000 Lbs.
TANK RUN TIME	TANK CAPACITY	TANK PART #	LENGTH	WIDTH	HEIGHT	ADDITIONAL WEIGHT (EMPTY)
12 Hours	150 GAL		108"	48"	14"	1200 LBS
24 Hours	300 GAL	TA0000B77	108"	48"	26"	1500 LBS



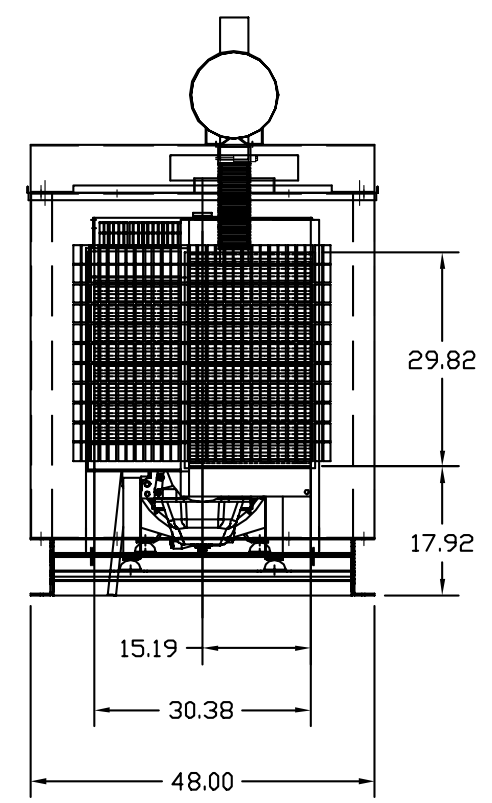
PLAN VIEW



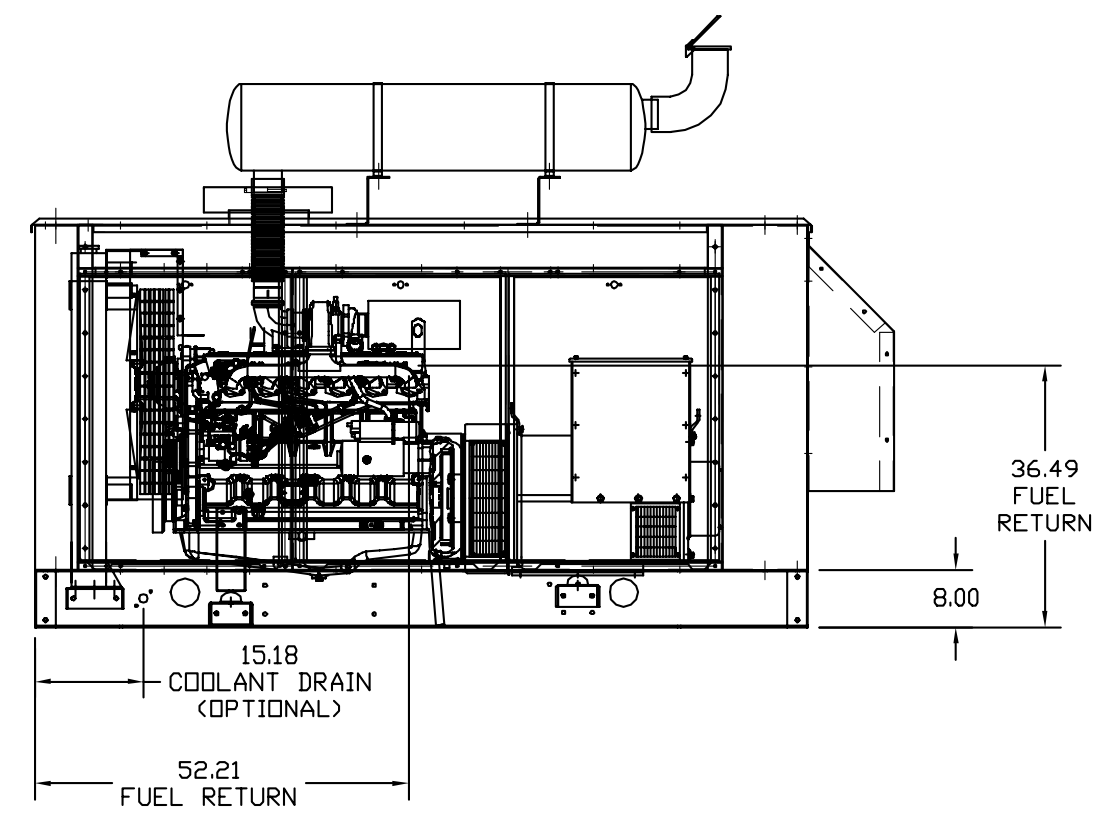
REAR VIEW



RIGHT VIEW



FRONT VIEW



LEFT VIEW

REV. DESC: NEW		
REV. LTR: -	VERSION: 00	TDR: 000000339114
FILE: \PGA\00006\225	REVISED: 13:57:06 11/24/2004	BY: PGJOEE0
MTL: -		

**BALDOR ELECTRIC Co.**

IDLC150,JD,ECON,STD

AY0080C52