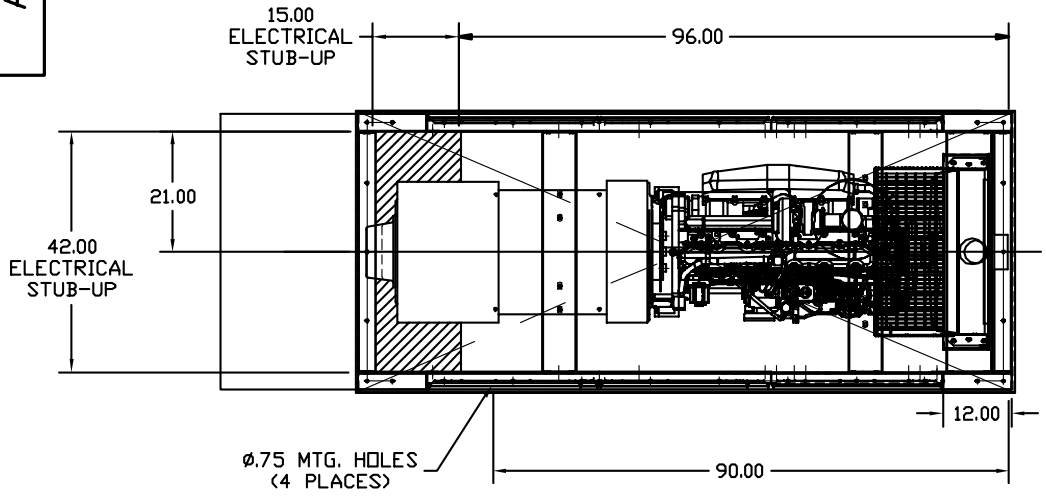
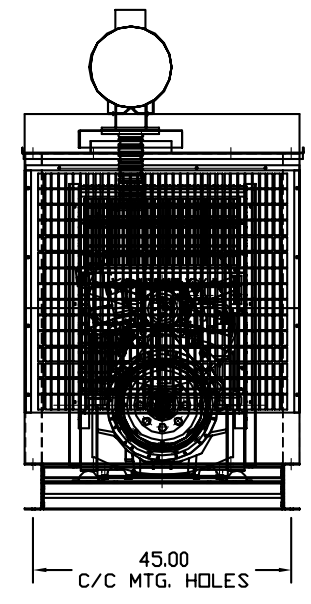


AY0080C70

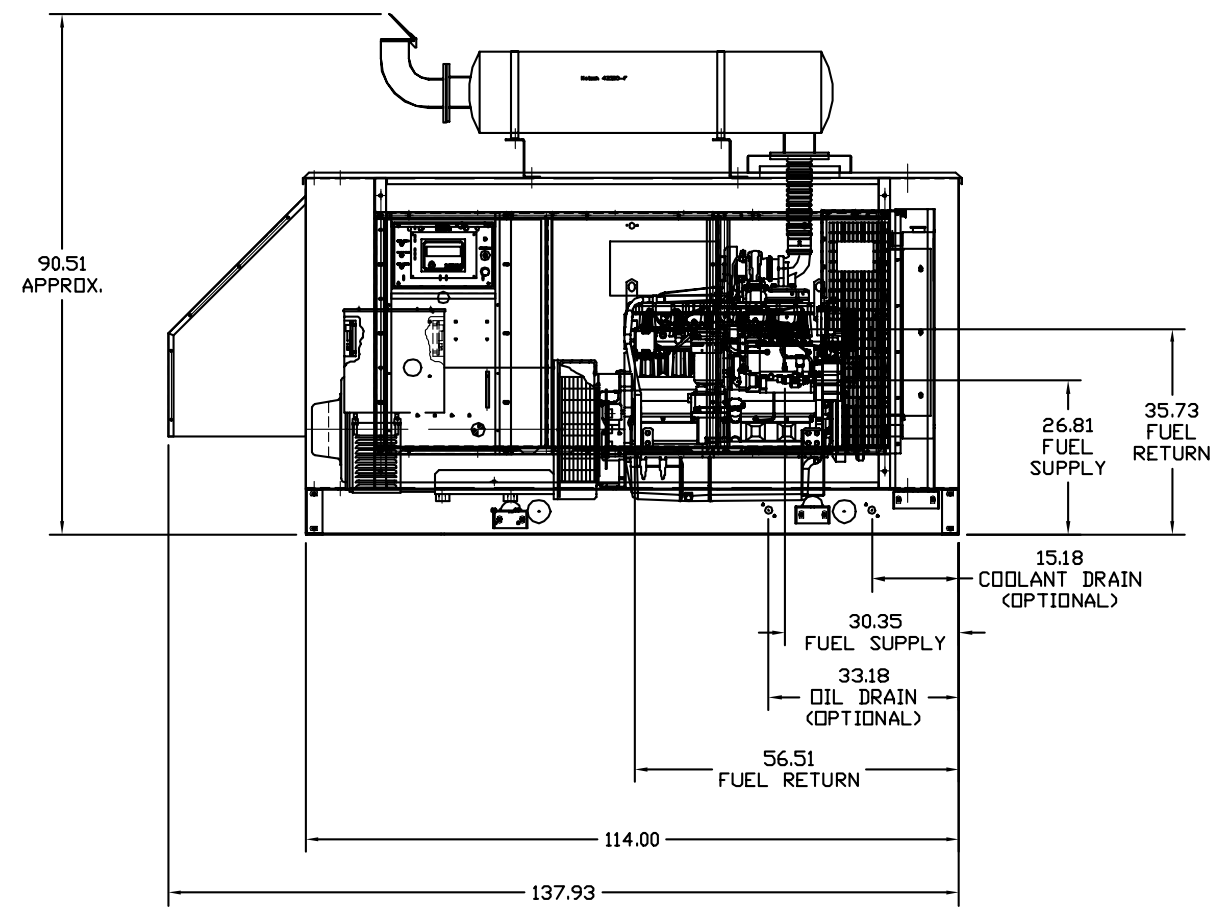
JOHN DEERE		WET WEIGHT			6300 Lbs.	
TANK RUN TIME	TANK CAPACITY	TANK PART #	LENGTH	WIDTH	HEIGHT	ADDITIONAL WEIGHT (EMPTY)
12 Hours	210 GAL	TA0000B54	114"	48"	18"	1300 LBS
24 Hours	420 GAL	TA0000B68	114"	48"	38"	1800 LBS



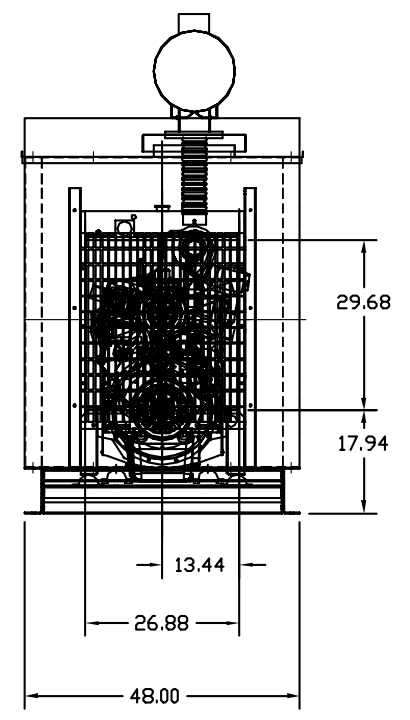
PLAN VIEW



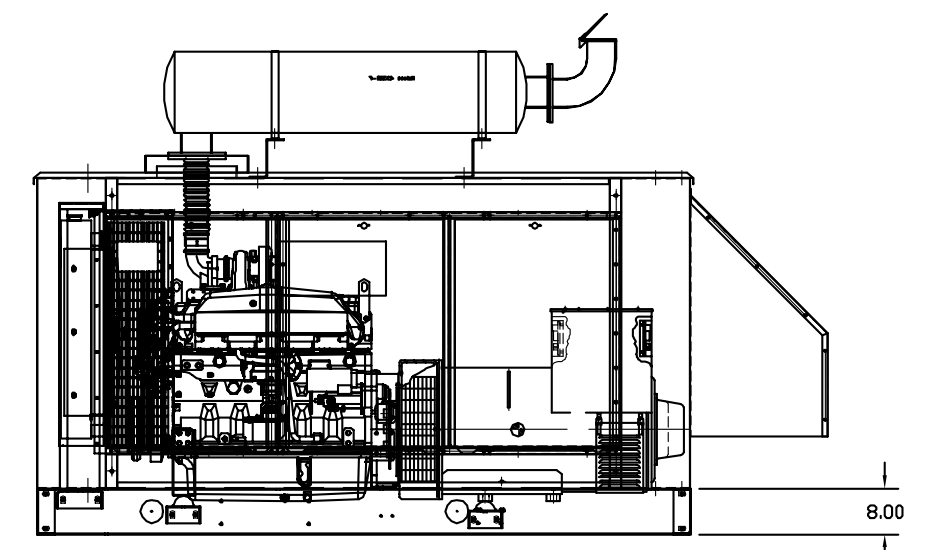
REAR VIEW



RIGHT VIEW



FRONT VIEW



LEFT VIEW

REV. DESC: NEW		
REV. LTR: -	VERSION: 00	TDR: 000000339114
FILE: \PGA\00006\248	REVISED: 11:15:18 11/29/2004	BY: PGJOEEO
MTL: -		

**BALDOR ELECTRIC Co.**

IDLC230,JD,ECON,STD

AY0080C70