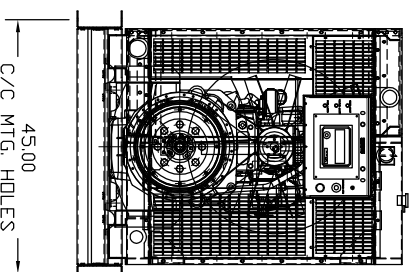
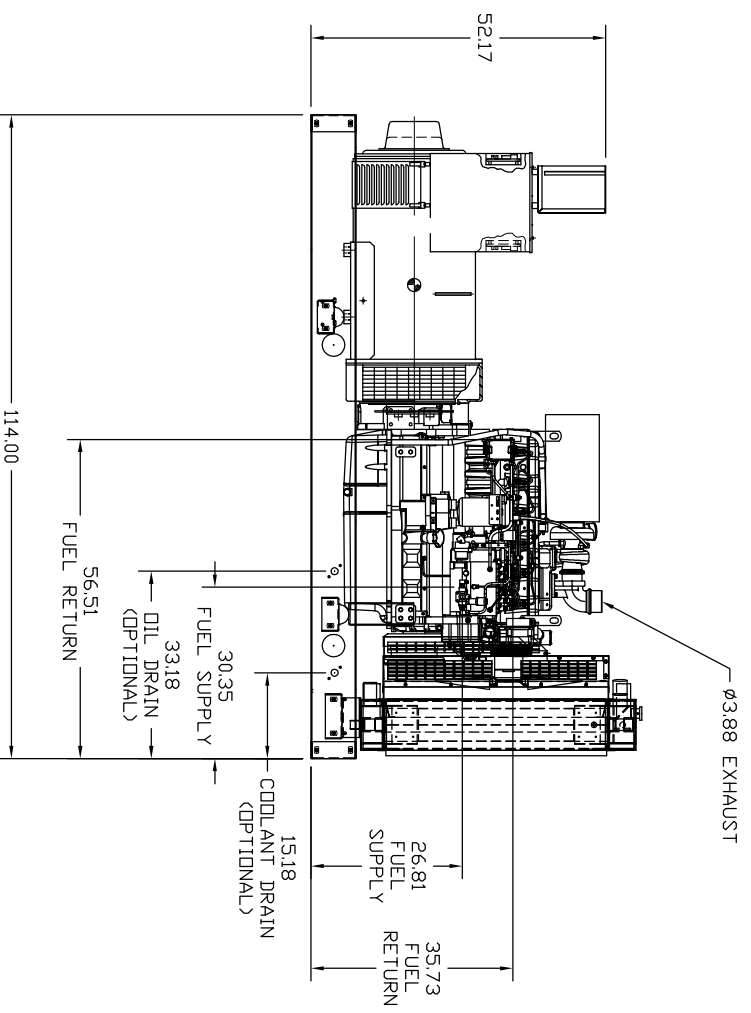


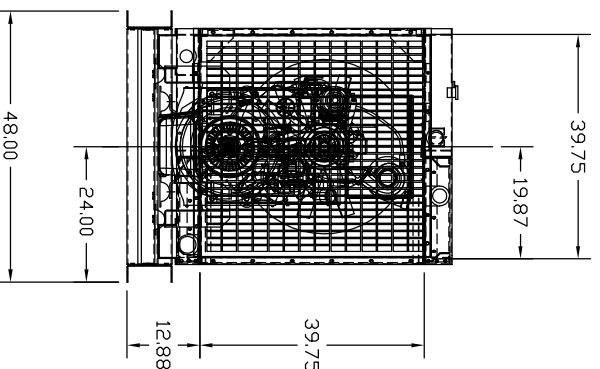
PLAN VIEW



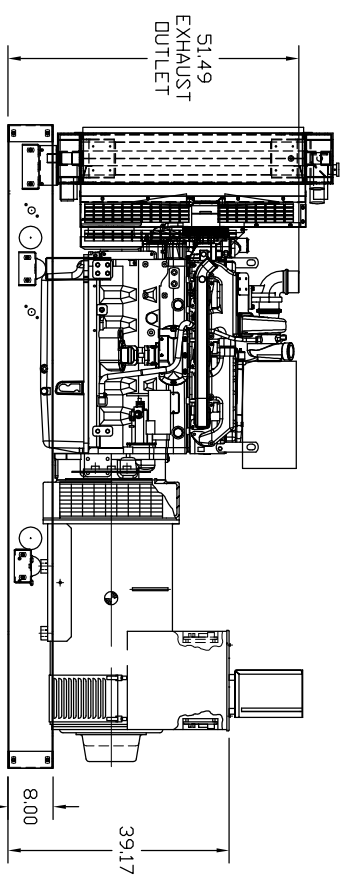
REAR VIEW



RIGHT VIEW



FRONT VIEW



LEFT VIEW

JOHN DEERE		WET WEIGHT		5500 Lbs.		
TANK RUN TIME	TANK CAPACITY	TANK PART #	LENGTH	WIDTH	HEIGHT	ADDITIONAL WEIGHT (EMPTY)
12 Hours	250 GAL	TA0000B42	114"	48"	20"	1300 LBS
24 Hours	480 GAL	TA0000B30	114"	48"	34"	1900 LBS

REV. DESC: NEW	VERSION: 00	TDR: 000000339114
REV. LTR: -	REVISED: 10:49:22 11/30/2004	BY: PGJOEEO
FILE: \PGA\00006\258		
MTL: -		

BALDOR ELECTRIC Co.

IDLC250,JD,OPEN,STD