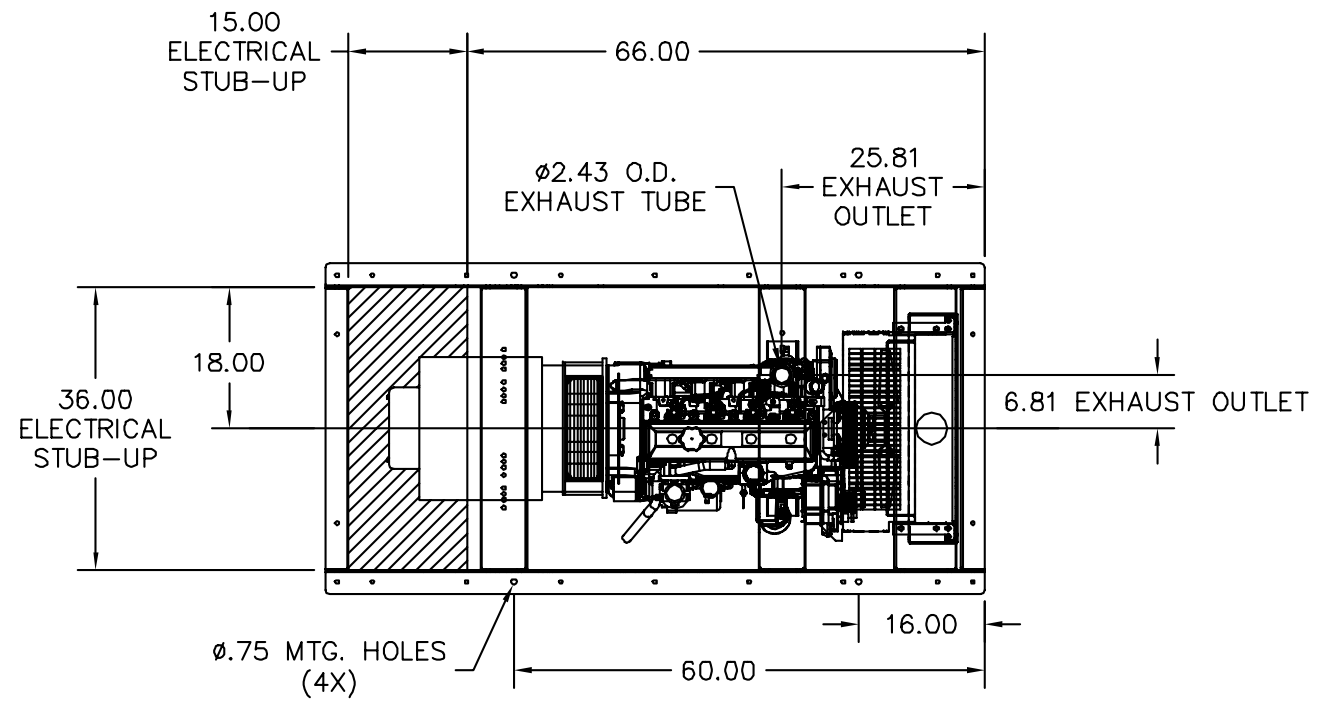
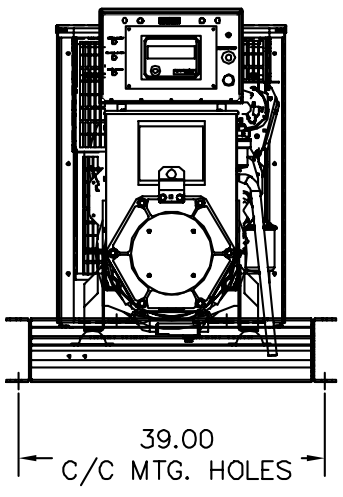


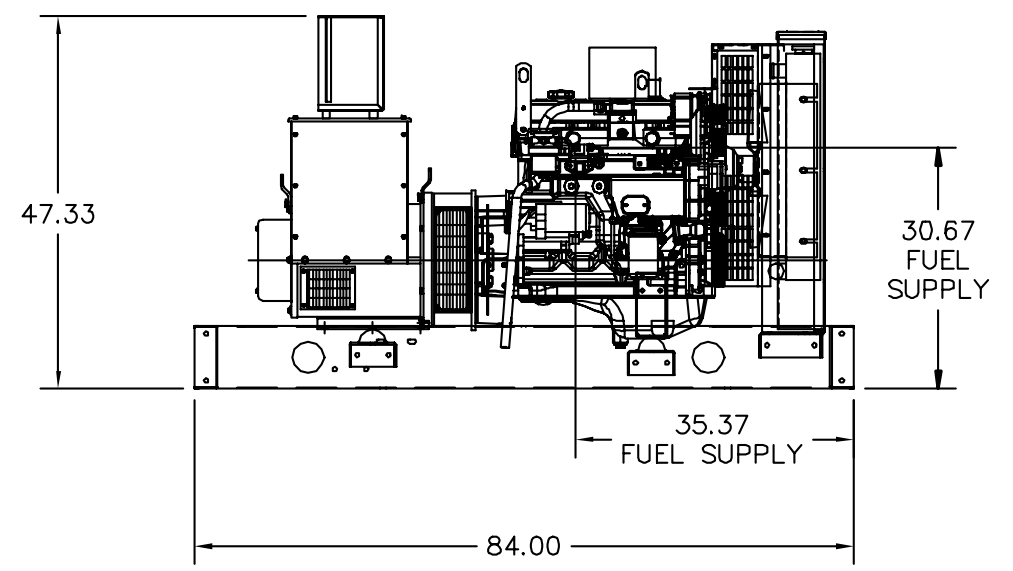
AY0080C09



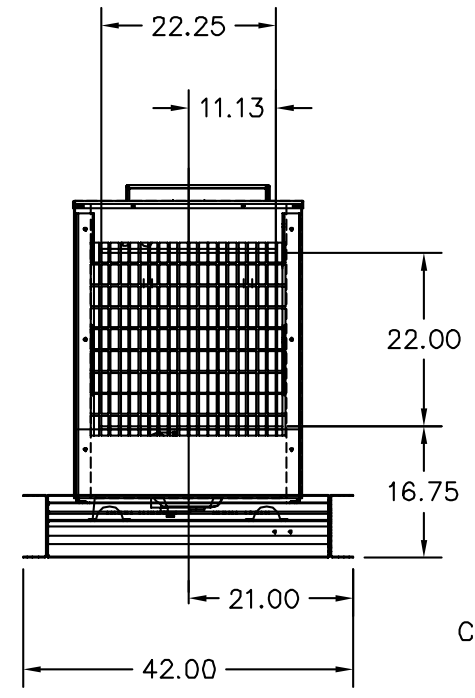
PLAN VIEW



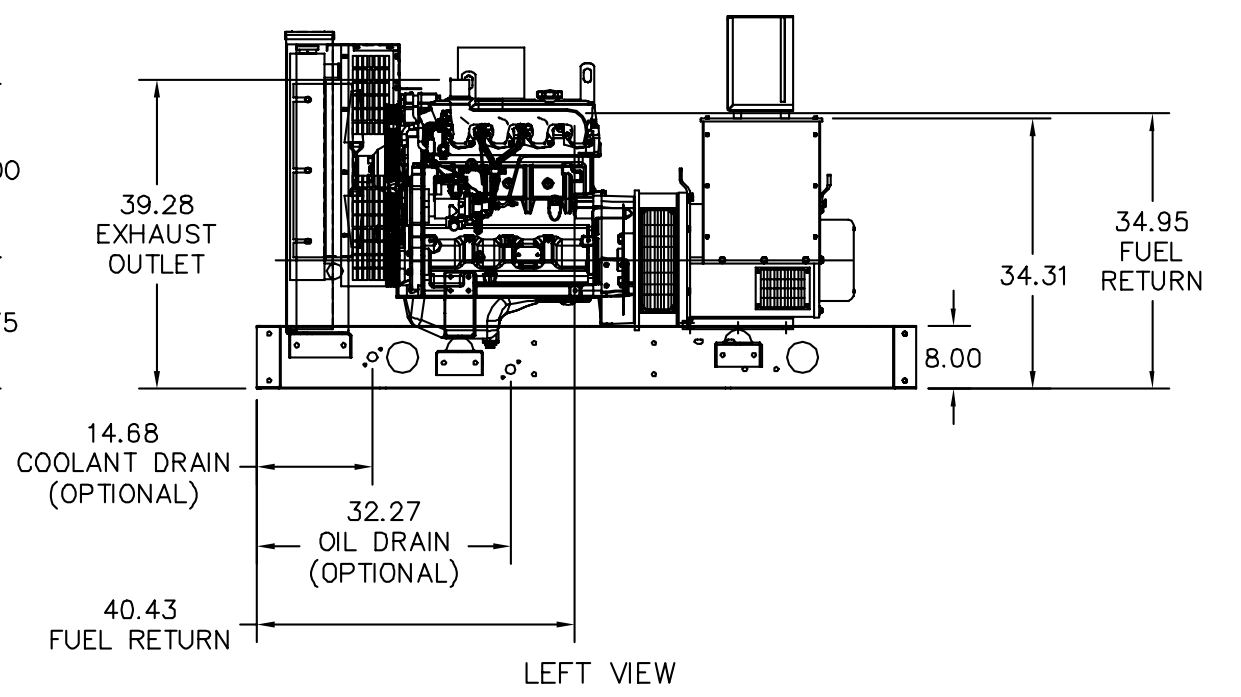
REAR VIEW



RIGHT VIEW



FRONT VIEW



LEFT VIEW

JOHN DEERE		WET WEIGHT				2200 Lbs.
TANK RUN TIME	TANK CAPACITY	TANK PART #	LENGTH	WIDTH	HEIGHT	ADDITIONAL WEIGHT (EMPTY)
12 Hours	50 GAL	TA0000B36	84"	42"	10"	600 LBS
24 Hours	90 GAL	TA0000B51	84"	42"	15"	900 LBS

REV. DESC: CHANGED VIEW DESC.		
REV. LTR: A	VERSION: 01	TDR: 00000339114
FILE: \PGA\00005\863	REVISED: 08:18:56 11/23/2004	BY: PGJOEE0
MTL: -		

BALDOR ELECTRIC Co.

IDLC40,JD,OPEN,STD

AY0080C09