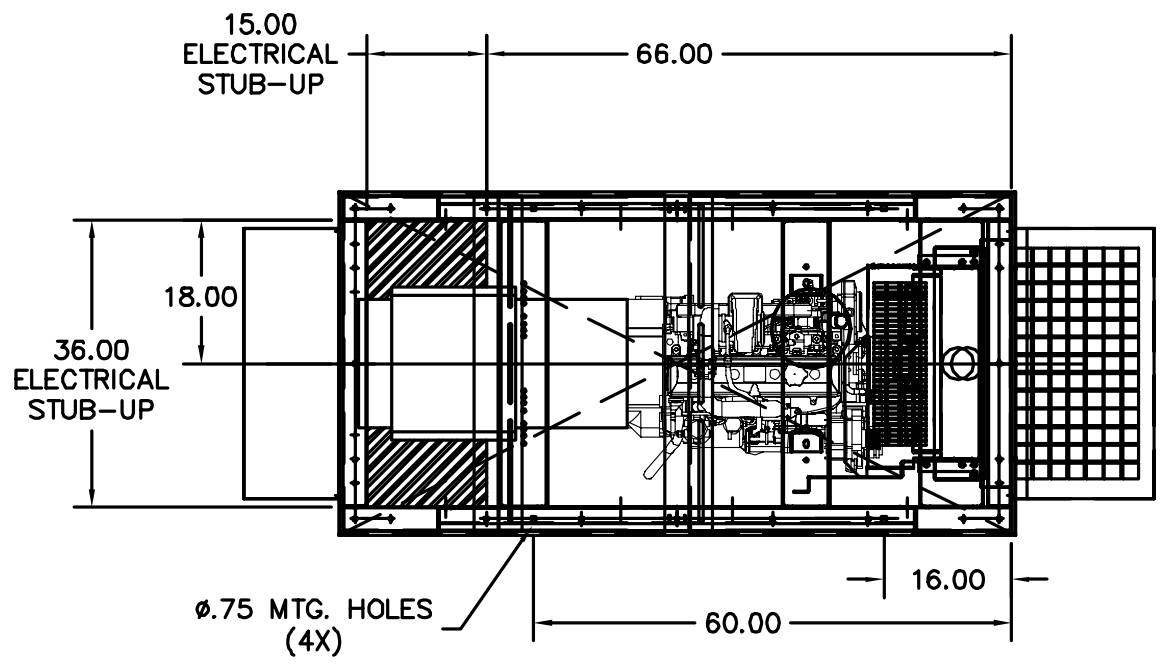
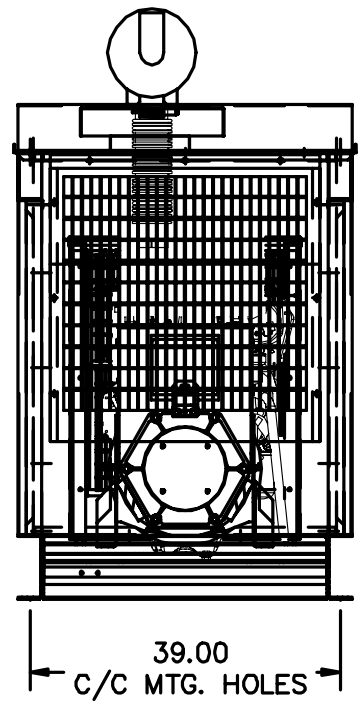


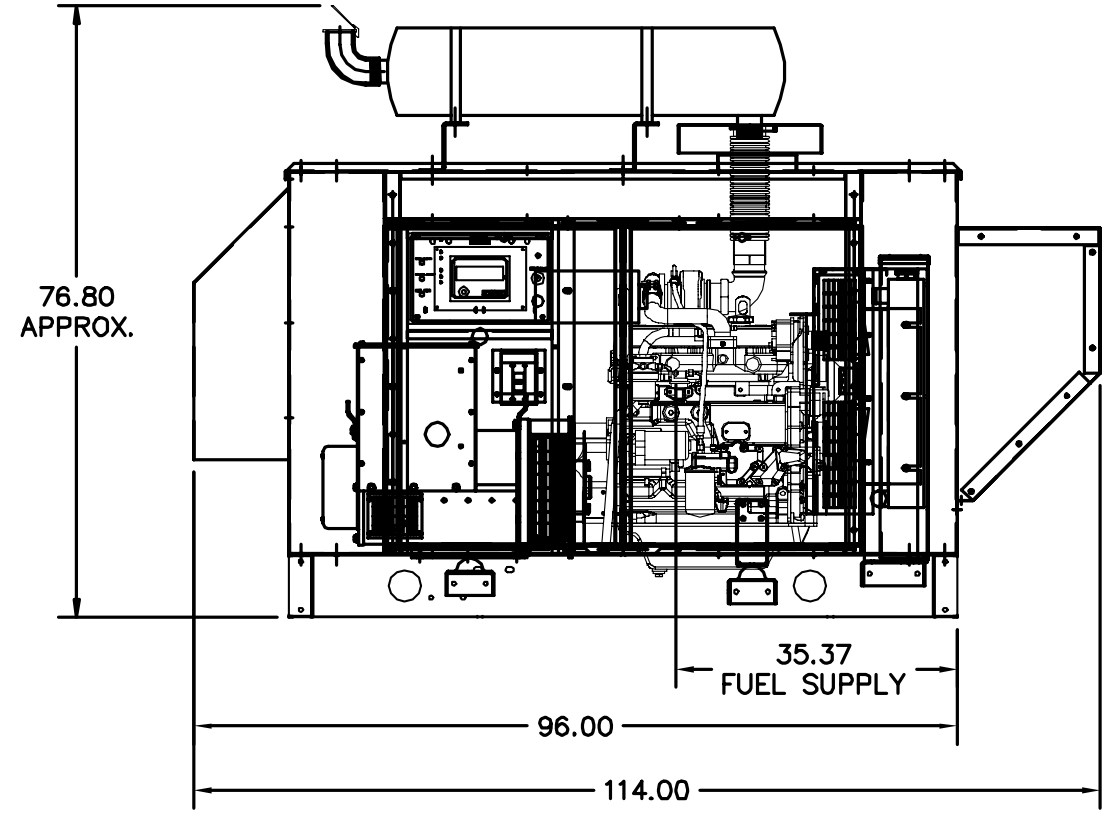
AY0080C23



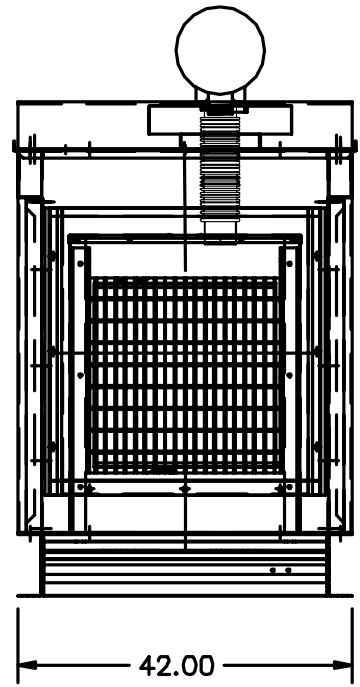
PLAN VIEW



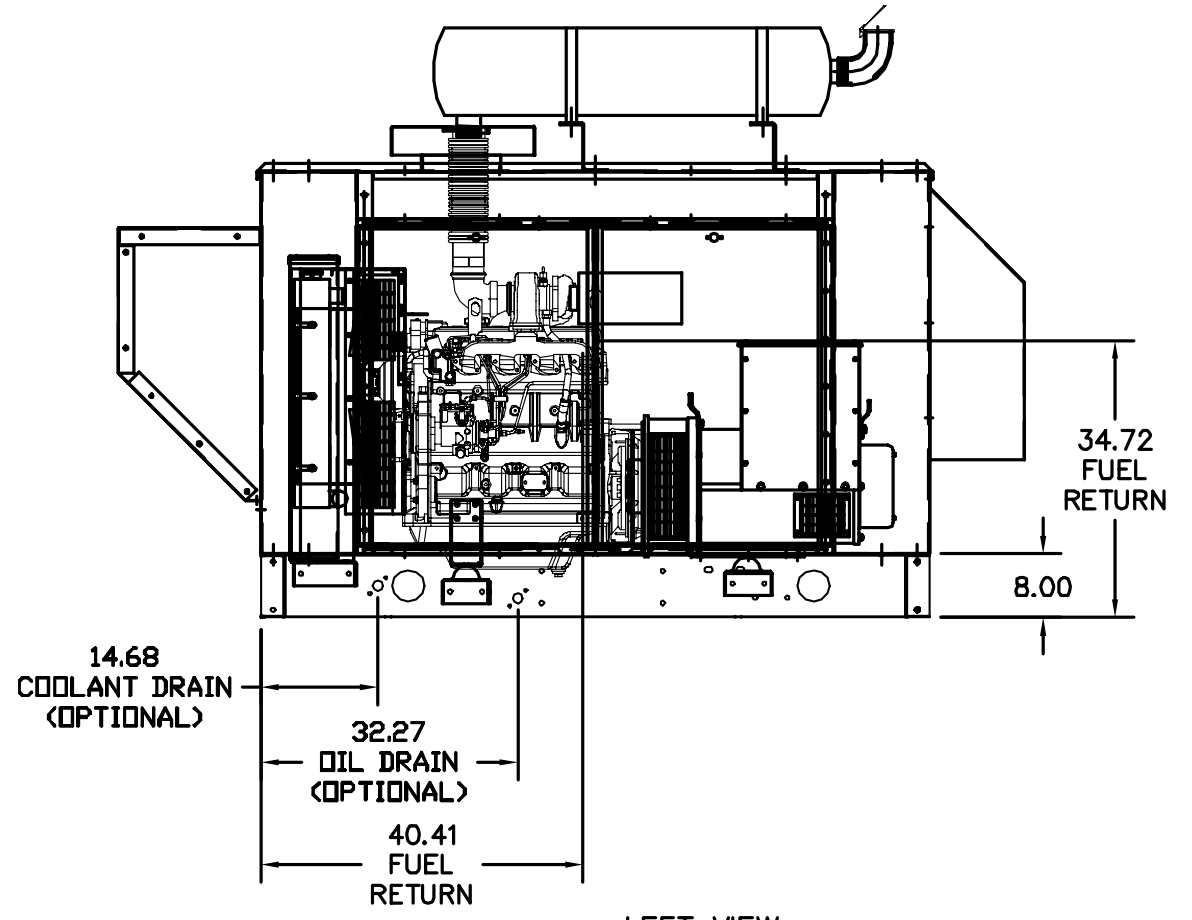
REAR VIEW



RIGHT VIEW



FRONT VIEW



LEFT VIEW

JOHN DEERE		WET WEIGHT				3060 Lbs.
TANK RUN TIME	TANK CAPACITY	TANK PART #	LENGTH	WIDTH	HEIGHT	ADDITIONAL WEIGHT (EMPTY)
12 Hours	70 GAL	TA0000B37	84"	42"	12"	700 LBS
24 Hours	125 GAL	TA0000B35	84"	42"	18"	900 LBS

REV. DESC: NEW		
REV. LTR: -	VERSION: 00	TDR: 000000339114
FILE: \PGA\00005\880	REVISED: 13: 49: 42 11/23/2004	BY: PGRICLO
MTL: -		

BALDOR ELECTRIC Co.

IDLC60,JD,ECON W/ FOAM,STD

AY0080C23