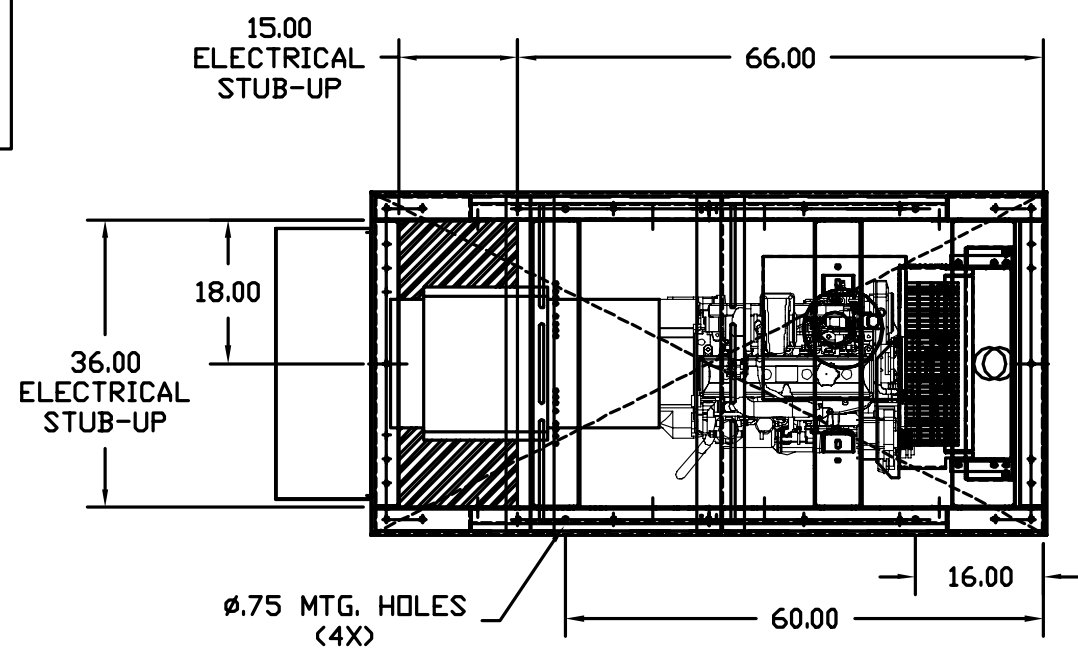
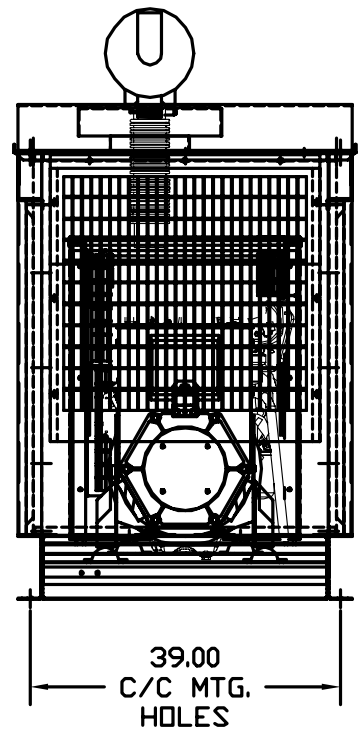


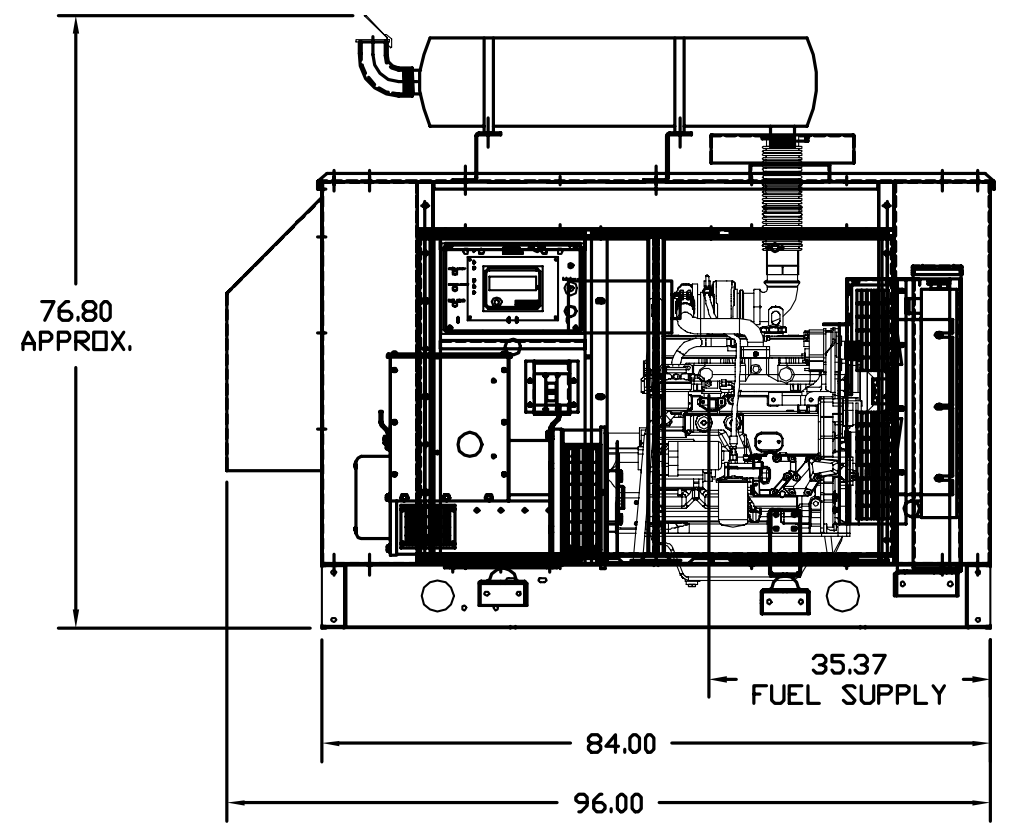
AY0080C22



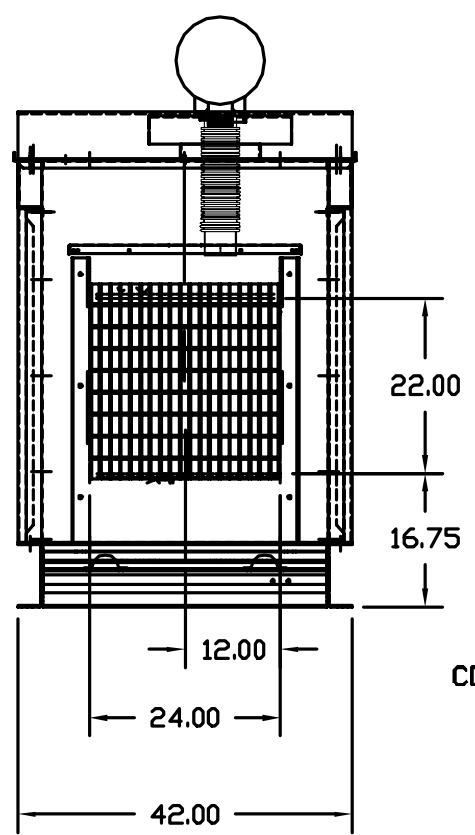
PLAN VIEW



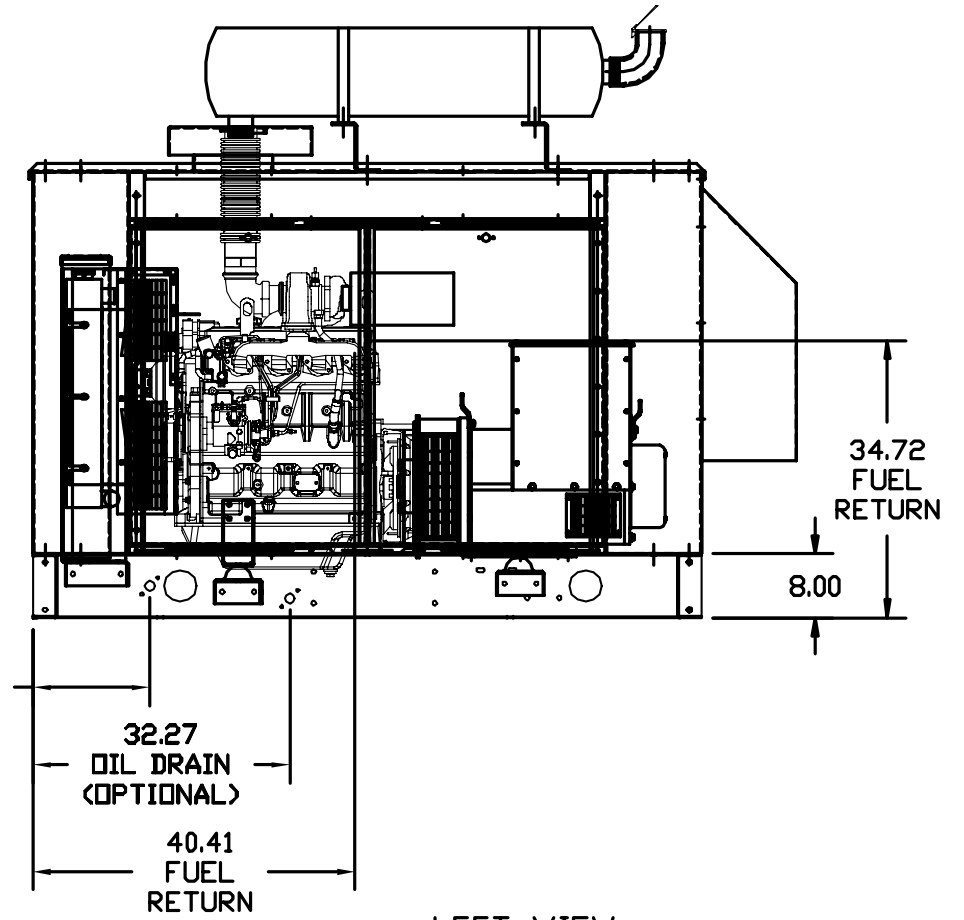
REAR VIEW



RIGHT VIEW



FRONT VIEW



LEFT VIEW

JOHN DEERE			WET WEIGHT			3000 Lbs.
TANK RUN TIME	TANK CAPACITY	TANK PART #	LENGTH	WIDTH	HEIGHT	ADDITIONAL WEIGHT (EMPTY)
12 Hours	70 GAL	TA0000B37	84"	42"	12"	700 LBS
24 Hours	125 GAL	TA0000B35	84"	42"	18"	900 LBS

REV. DESC: NEW		
REV. LTR: -	VERSION: 00	TDR: 000000339114
FILE: \PGA\00005\879	REVISED: 13: 48: 02 11/23/2004	BY: PGRICLO
MTL: -		

**BALDOR ELECTRIC Co.**

IDLC60,JD,ECON,STD

AY0080C22