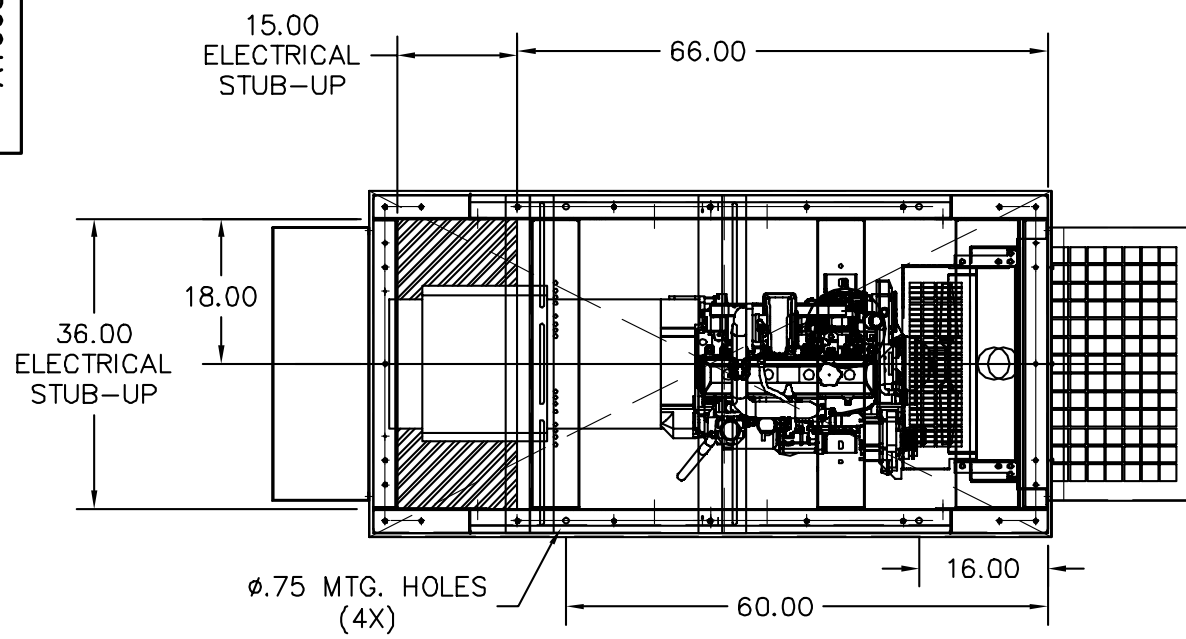
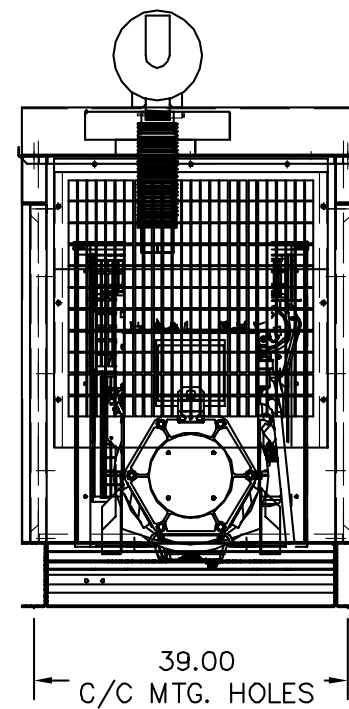


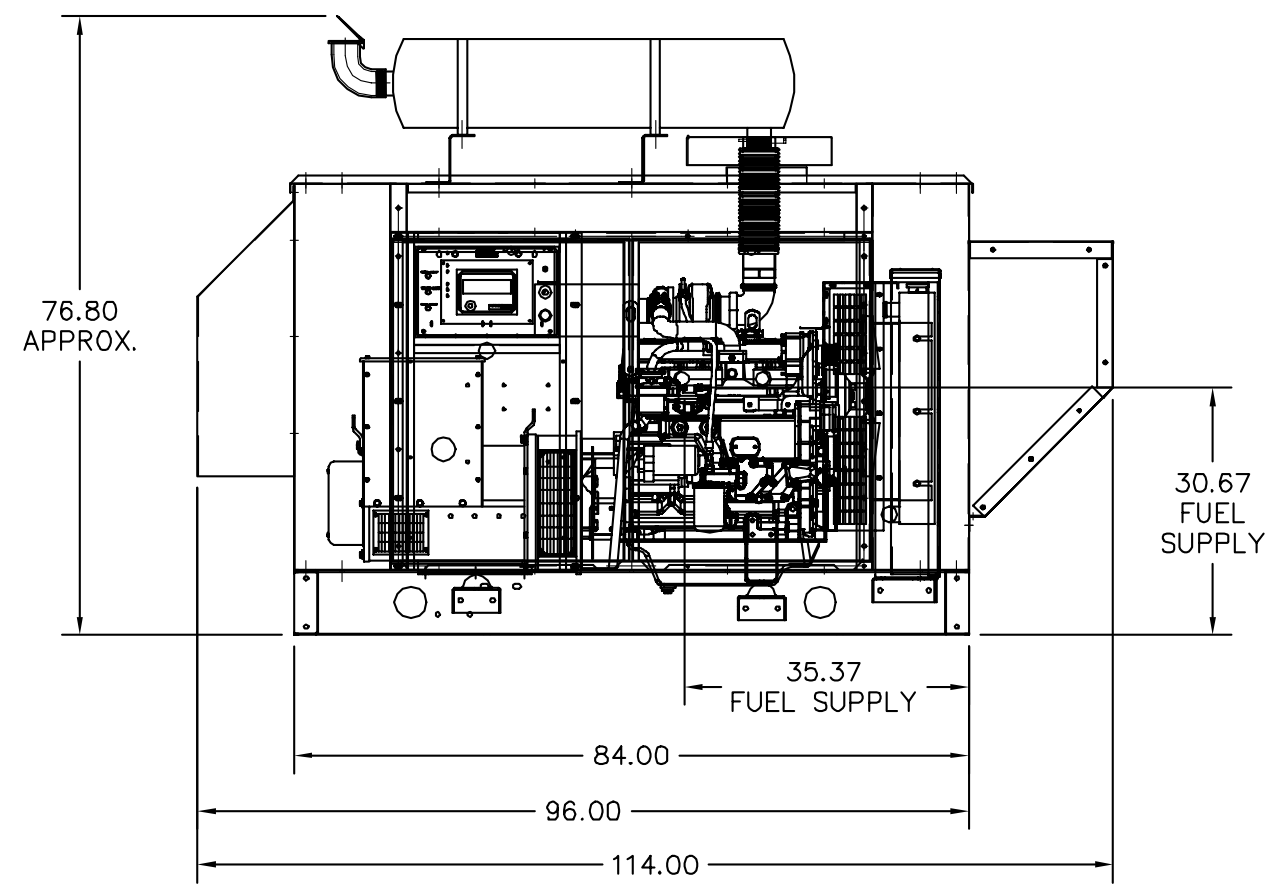
AY0080C29



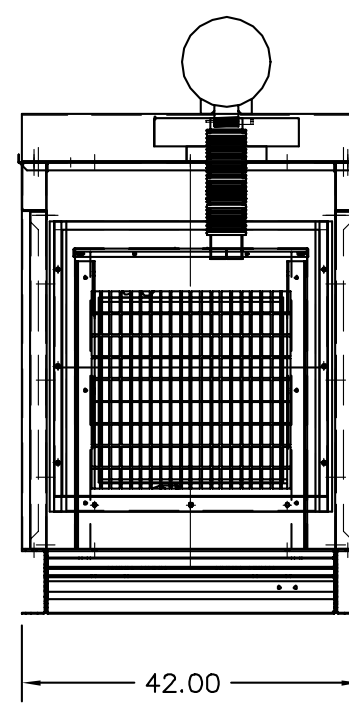
PLAN VIEW



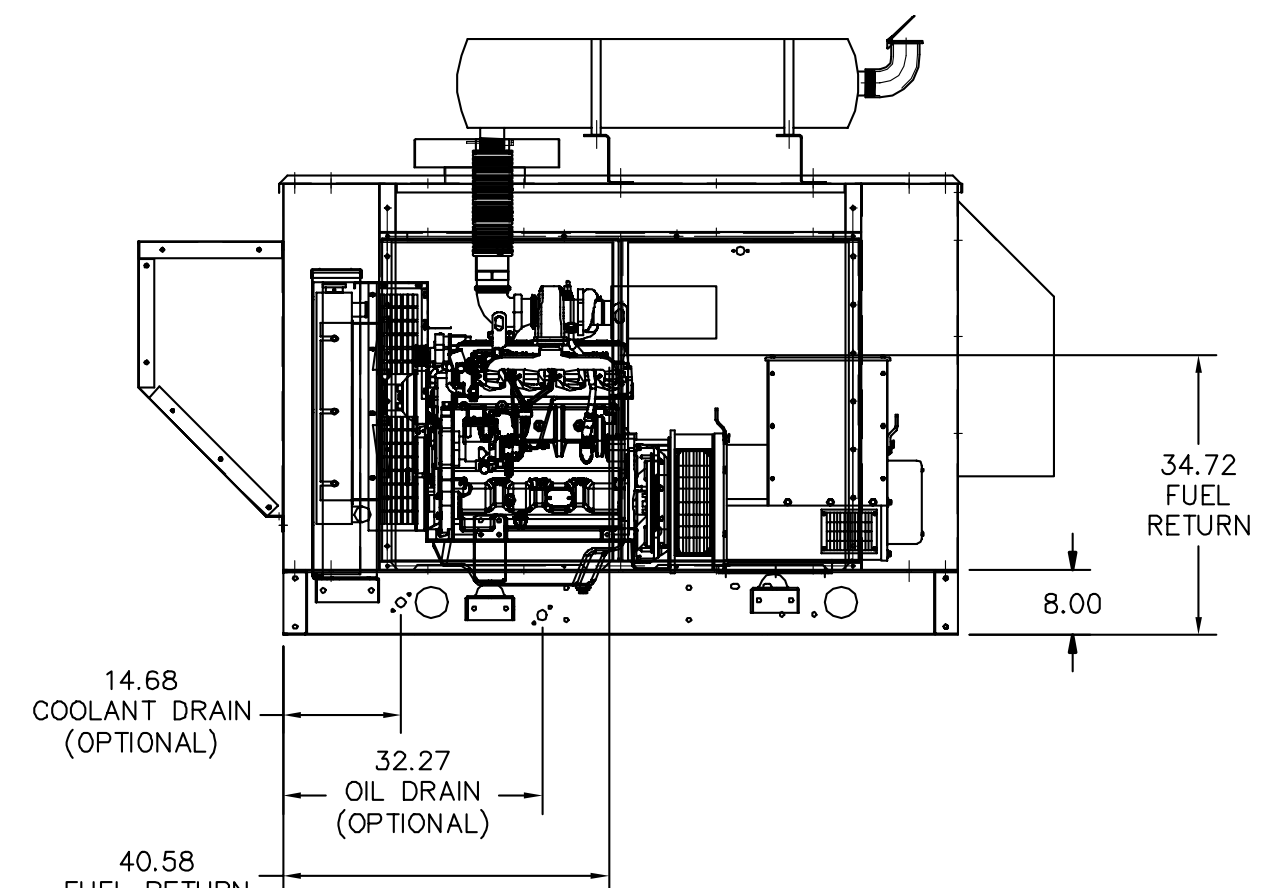
REAR VIEW



RIGHT VIEW



FRONT VIEW



LEFT VIEW

JOHN DEERE		WET WEIGHT			3150 Lbs.	
TANK RUN TIME	TANK CAPACITY	TANK PART #	LENGTH	WIDTH	HEIGHT	ADDITIONAL WEIGHT (EMPTY)
12 Hours	70 GAL	TA0000B37	84"	42"	12"	700 LBS
24 Hours	130 GAL	TA0000B43	84"	42"	24"	1100 LBS

REV. DESC: NEW	VERSION: 00	TDR: 000000339114
REV. LTR: -	REVISED: 12: 42: 06 11/23/2004	BY: PGJOEE0
FILE: \PGA\00005\886		
MTL: -		

**BALDOR ELECTRIC Co.**

IDLC70,JD,ECON W/ FOAM,STD

AY0080C29