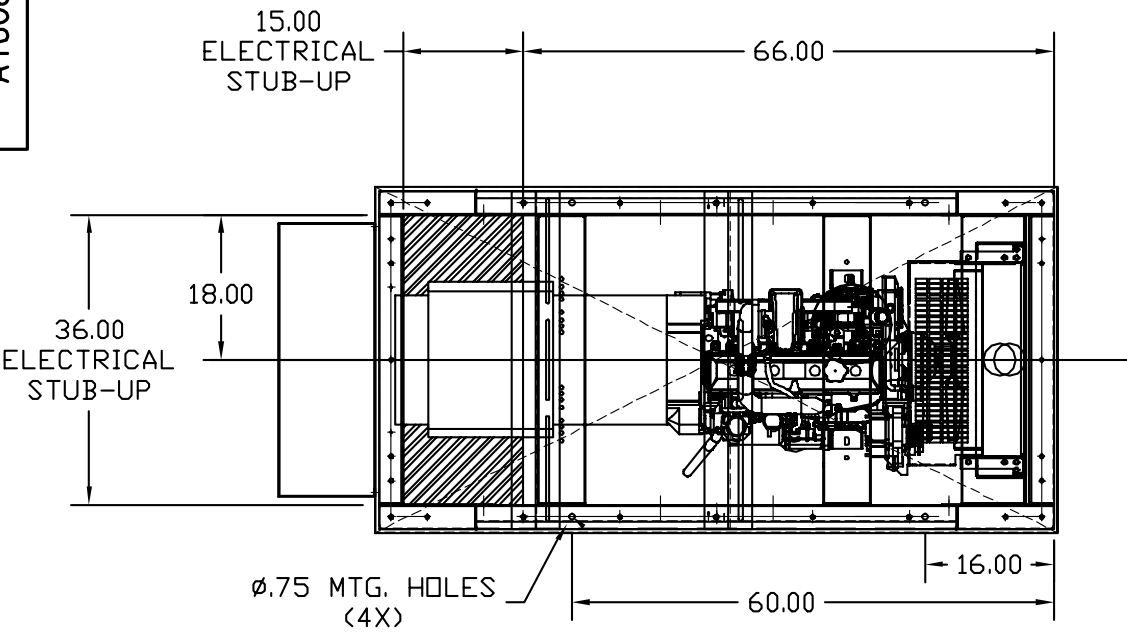
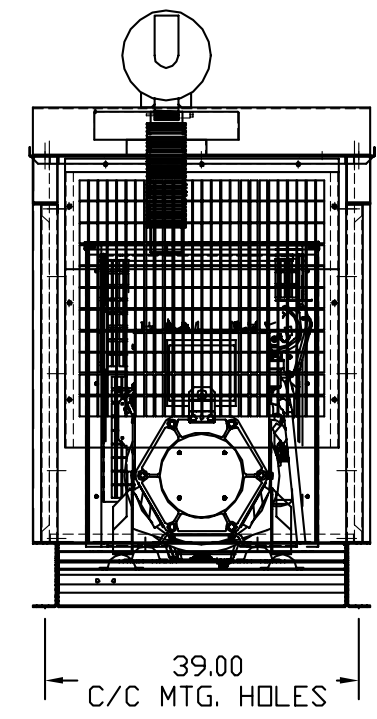


AY0080C28

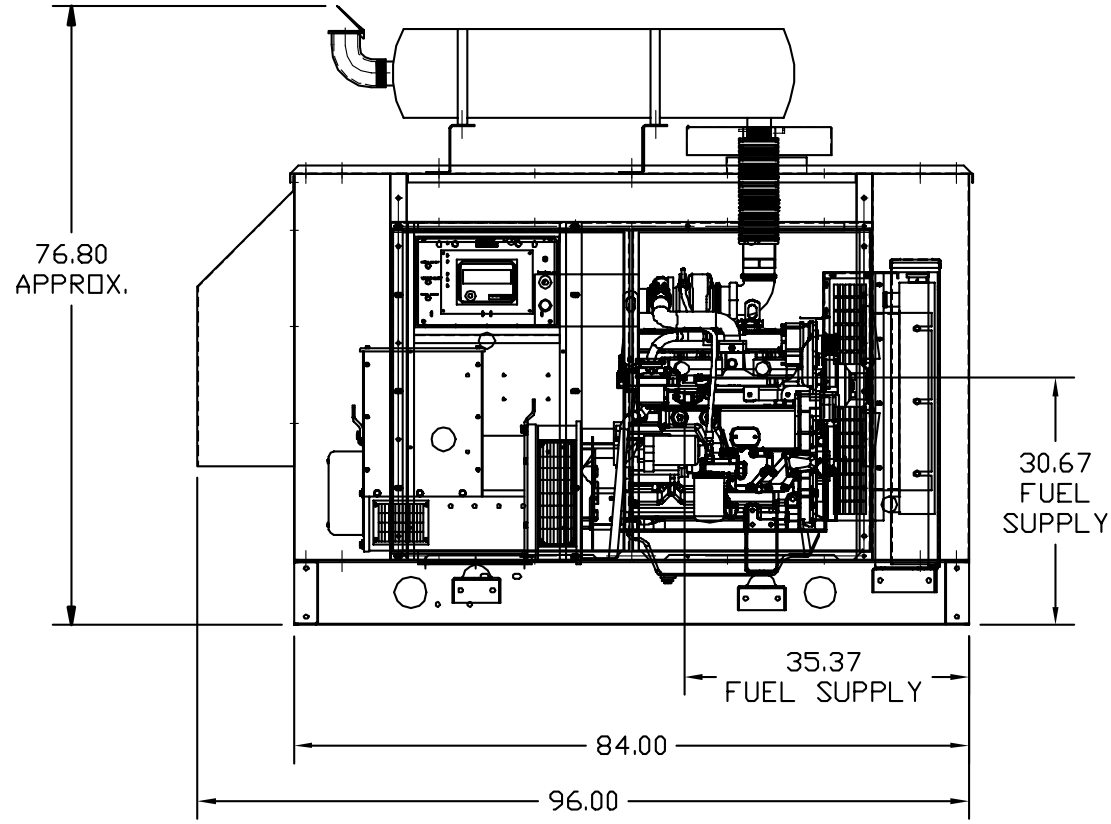
JOHN DEERE		WET WEIGHT			3100lbs.	
TANK RUN TIME	TANK CAPACITY	TANK PART #	LENGTH	WIDTH	HEIGHT	ADDITIONAL WEIGHT (EMPTY)
12 Hours	70 GAL	TA0000B37	84"	42"	12"	700 LBS
24 Hours	130 GAL	TA0000B43	84"	42"	24"	1100 LBS



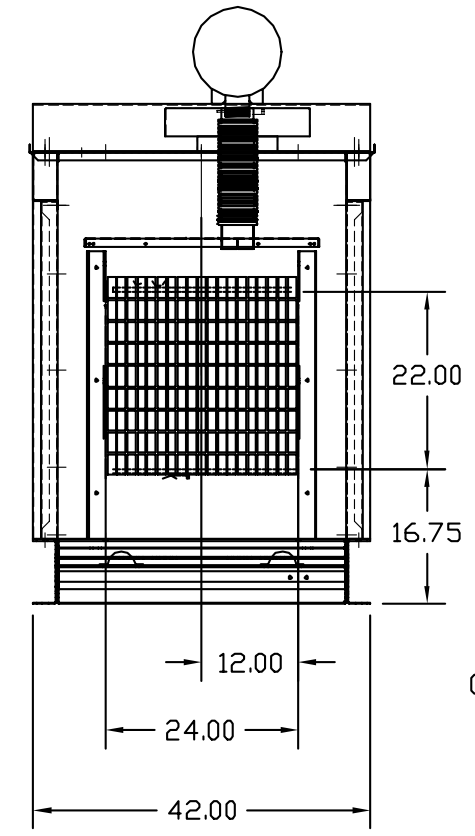
PLAN VIEW



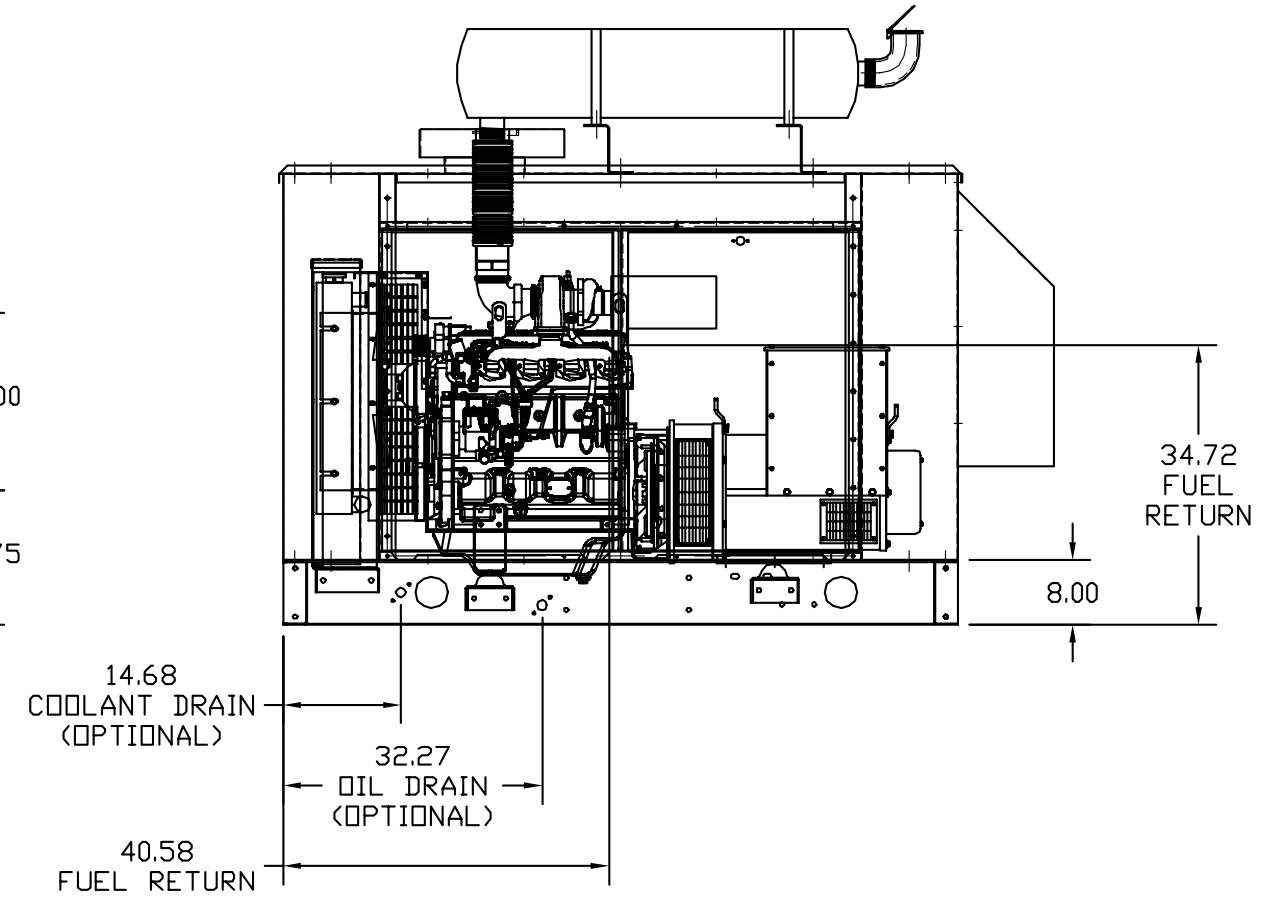
REAR VIEW



RIGHT VIEW



FRONT VIEW



LEFT VIEW

REV. DESC: NEW	VERSION: 00	TDR: 000000339114
REV. LTR: -	REVISED: 13:09:54 11/23/2004	BY: PGJOEE0
FILE: \PGA\00005\885		
MTL: -		

**BALDOR ELECTRIC Co.**

IDLC70,JD,ECON,STD

AY0080C28