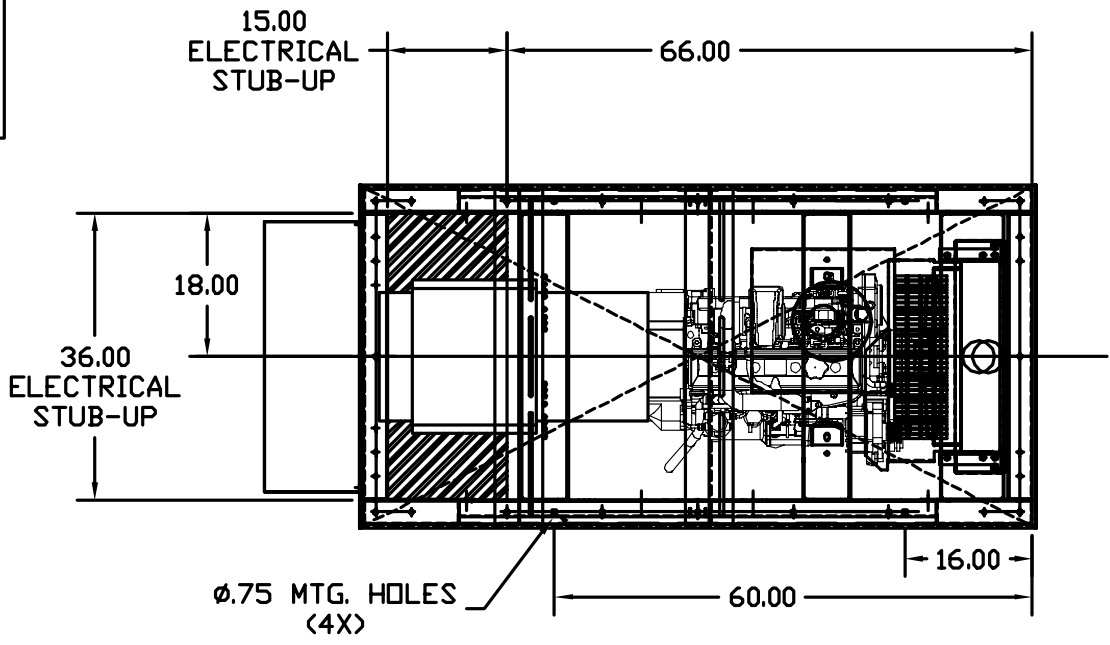
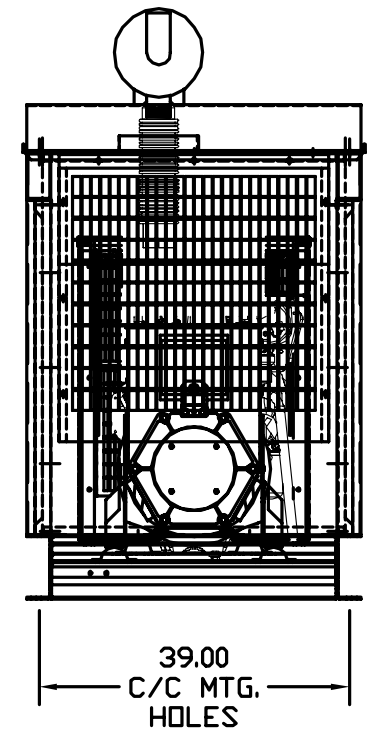


AY0080C34

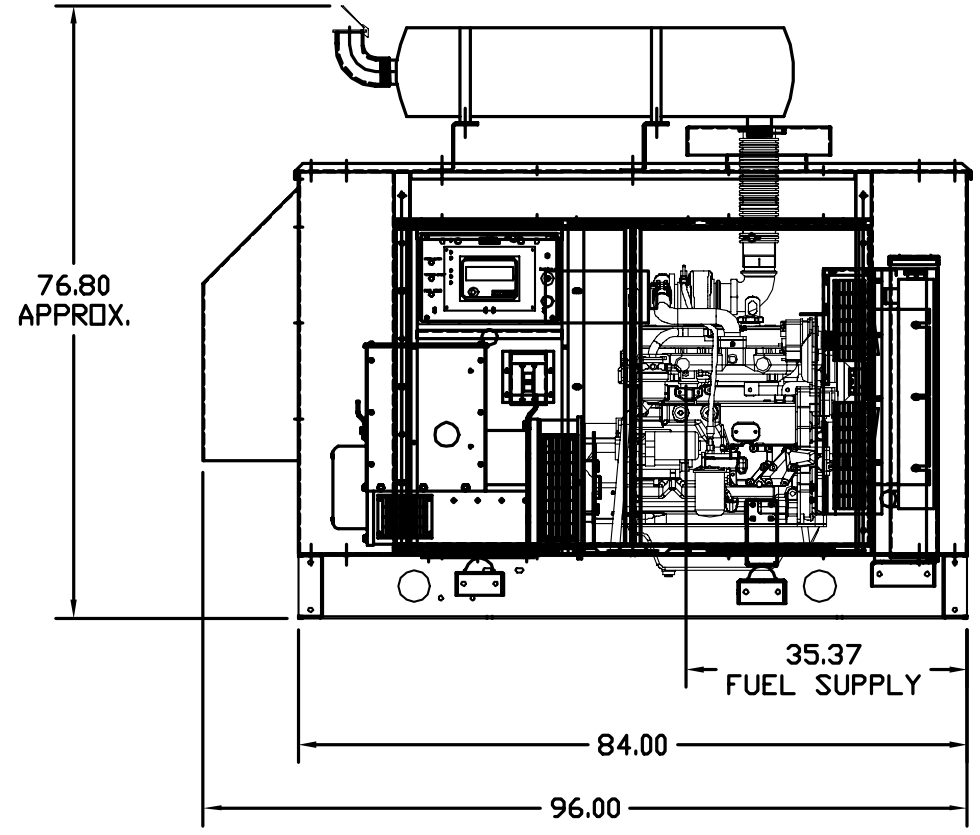
JOHN DEERE		WET WEIGHT				3100 Lbs.
TANK RUN TIME	TANK CAPACITY	TANK PART #	LENGTH	WIDTH	HEIGHT	ADDITIONAL WEIGHT (EMPTY)
12 Hours	80 GAL	TA0000B75	84"	42"	12"	800 LBS
24 Hours	150 GAL	TA0000B43	84"	42"	24"	1100 LBS



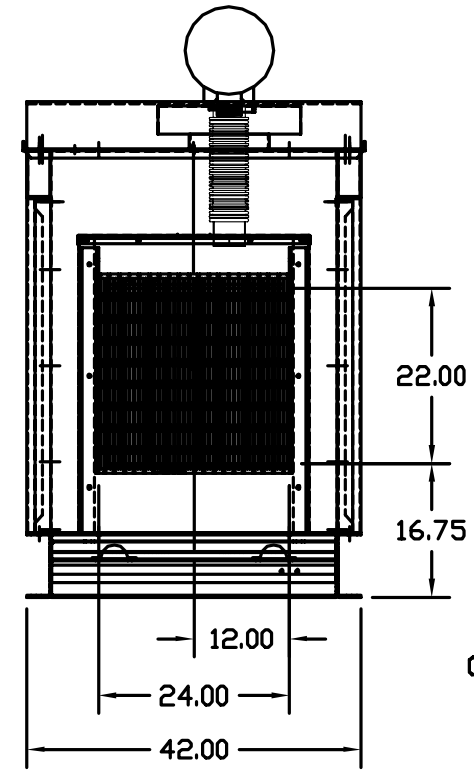
PLAN VIEW



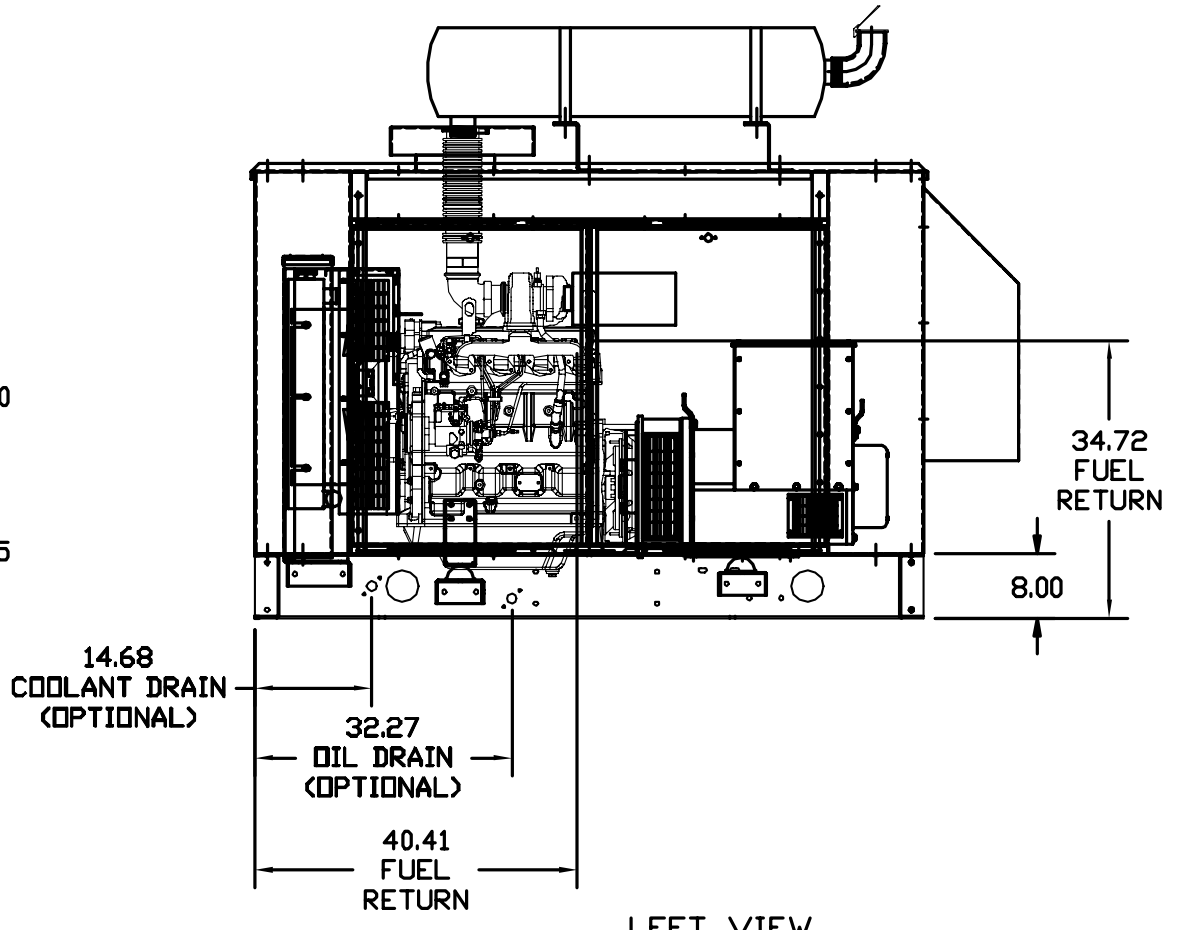
REAR VIEW



RIGHT VIEW



FRONT VIEW



LEFT VIEW

REV. DESC: NEW	VERSION: 00	TDR: 00000339114
REV. LTR: -	REVISED: 08: 38: 02 11/24/2004	BY: PGRICLO
FILE: \PGA\00005\891		
MTL: -		

**BALDOR ELECTRIC Co.**

IDLC80,JD,ECON,STD

AY0080C34